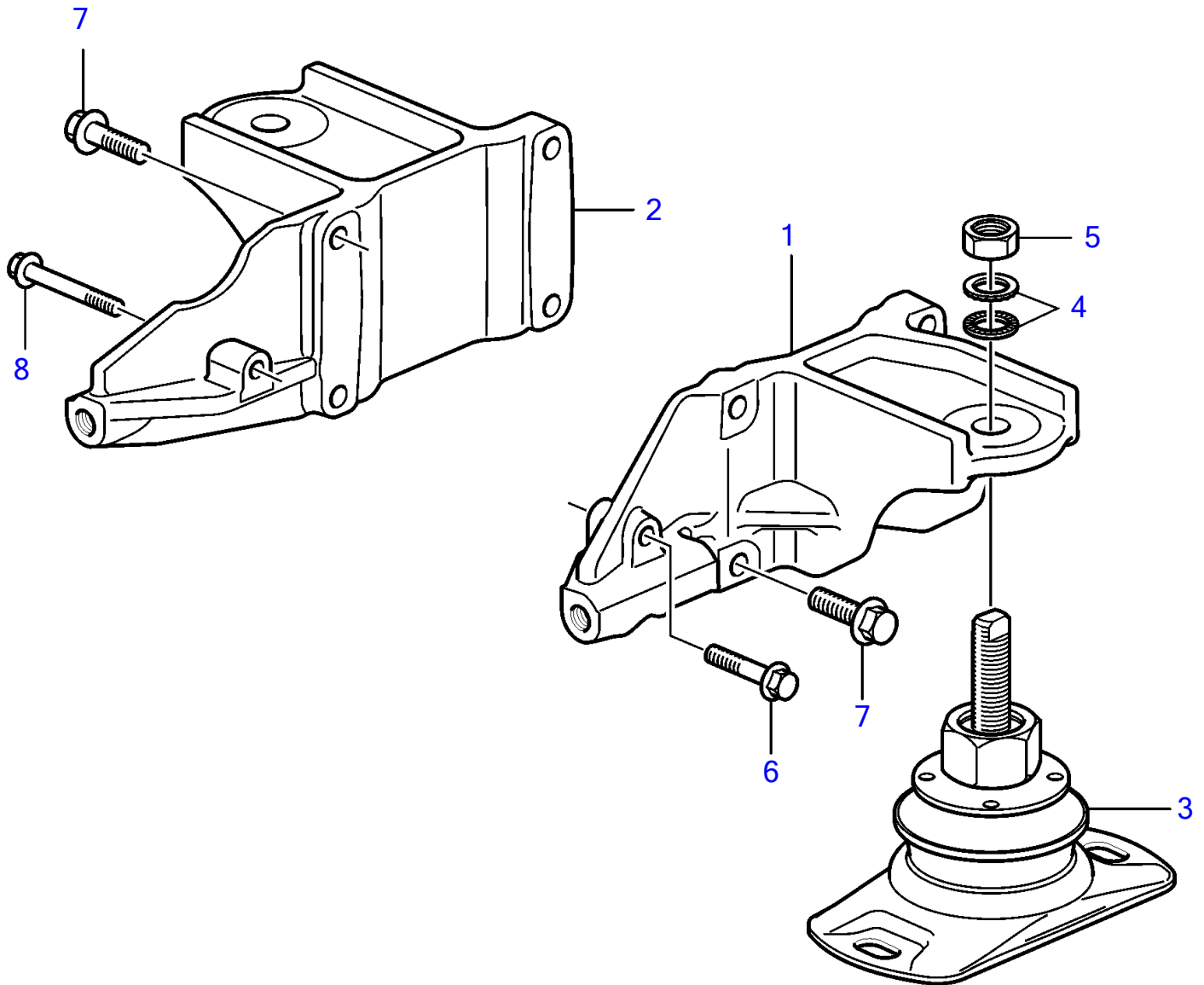


D6-280A-A, D6-280A-B, D6-280A-C, D6-280A-D, D6-280A-E, D6-310A-A, D6-310A-B, D6-310A-C, D6-310A-D, D6-330A-B, D6-330A-C, D6-330A-D, D6-350A-A, D6-350A-B, D6-370A-B, D6-370A-C, D6-370A-D, D6-310A-E, D6-330A-E, D6-370A-E



24448

D6-280A-A, D6-280A-B, D6-280A-C, D6-280A-D, D6-280A-E, D6-310A-A, D6-310A-B, D6-310A-C, D6-310A-D, D6-330A-B, D6-330A-C, D6-330A-D, D6-350A-A, D6-350A-B, D6-370A-B, D6-370A-C, D6-370A-D, D6-310A-E, D6-330A-E, D6-370A-E

REF	PART NO.	QTY	DESCRIPTION	SEE SEC.	NOTES
1	3583516	1	Engine bracket		
2	3807719	1	Engine bracket		S.B, Front
3	21203504	2	Rubber cushion, front		
			▪ Bulletin P-08-2-2	P-08-2-2-EN	Measuring Gauge for Rubber Mounts
4	847766	1	▪ Lock washer		
5	955786	1	▪ Hexagon nut		
6	965186	1	Flange screw		
7	965192	8	Flange screw		
8	965188	1	Flange screw		