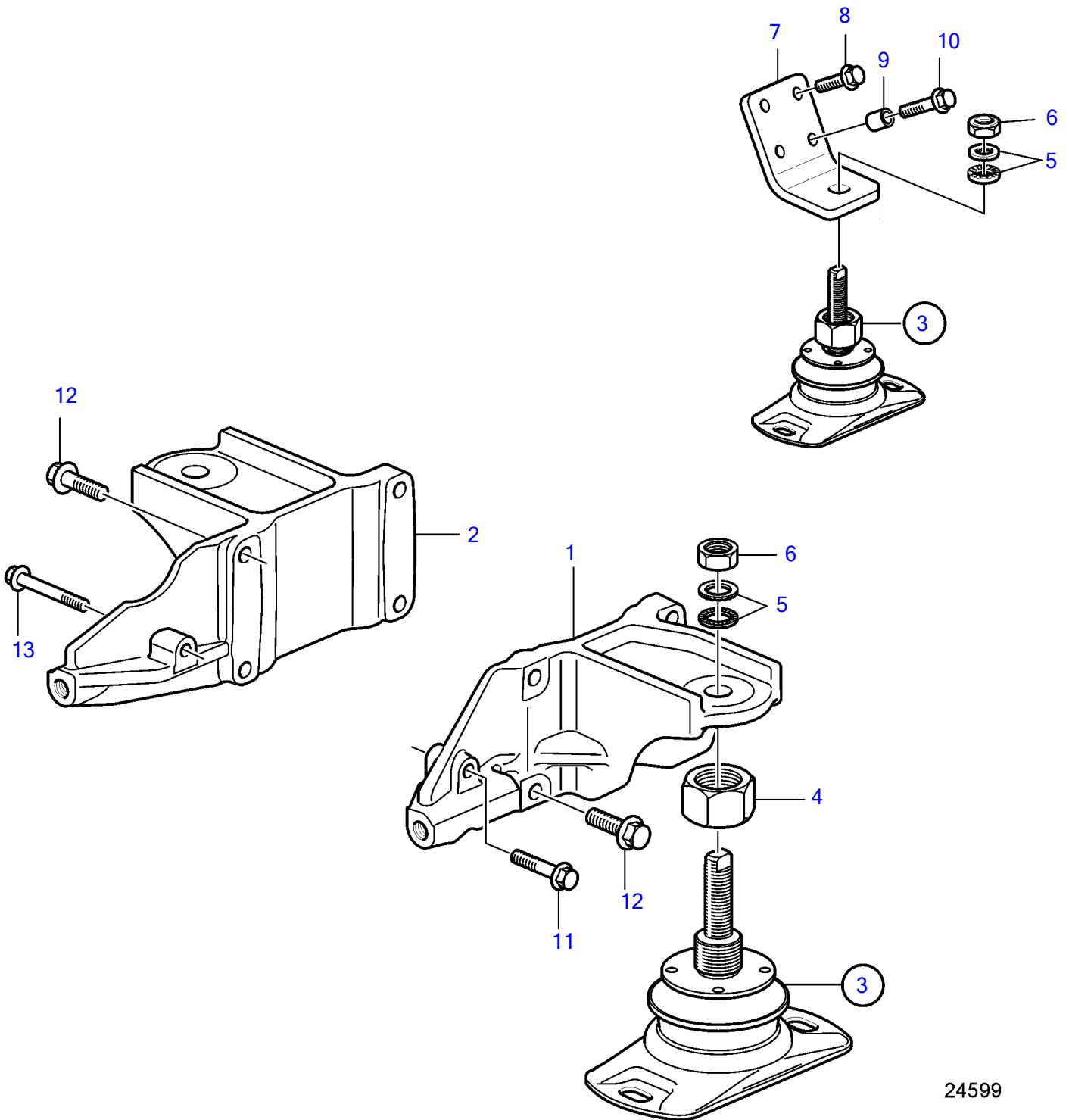


D6-280I-A, D6-280I-B, D6-280I-C, D6-280I-D, D6-280I-E, D6-310D-B, D6-310D-C, D6-310D-D, D6-310I-C, D6-310I-D, D6-330D-C, D6-330D-D, D6-330I-C, D6-330I-D, D6-370D-B, D6-370D-C, D6-370D-D, D6-370I-A, D6-370I-B, D6-370I-C, D6-370I-D, D6-310D-E, D6-310I-E, D6-330D-E, D6-330I-E, D6-370D-E, D6-370I-E, D6-400A-E, D6-435D-D, D6-435D-C, D6-435D-E, D6-435I-A, D6-435I-C, D6-435I-D, D6-435I-E



24599

D6-280I-A, D6-280I-B, D6-280I-C, D6-280I-D, D6-280I-E, D6-310D-B, D6-310D-C, D6-310D-D, D6-310I-C, D6-310I-D, D6-330D-C, D6-330D-D, D6-330I-C, D6-330I-D, D6-370D-B, D6-370D-C, D6-370D-D, D6-370I-A, D6-370I-B, D6-370I-C, D6-370I-D, D6-310D-E, D6-310I-E, D6-330D-E, D6-330I-E, D6-370D-E, D6-370I-E, D6-400A-E, D6-435D-D, D6-435D-C, D6-435D-E, D6-435I-A, D6-435I-C, D6-435I-D, D6-435I-E

REF	PART NO.	QTY	DESCRIPTION	SEE SEC.	NOTES
1	3583516	1	Engine bracket		
2	3807719	1	Engine bracket		S.B, Front
3	21203504	4	Rubber cushion		
			• Bulletin P-08-2-2	P-08-2-2-EN	Measuring Gauge for Rubber Mounts
4		1	• Nut		
5	847766	4	• Lock washer		
6	955786	2	• Hexagon nut		
7	3583620	2	Engine bracket		Rear
8	984709	2	Flange screw		
9	1678297	2	Spacer sleeve		
10	984956	2	Flange screw		
11	965186	1	Flange screw		L=50mm
12	965192	8	Flange screw		L=40mm
13	965188	1	Flange screw		L=70mm