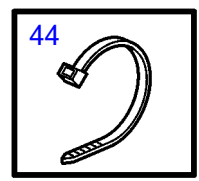
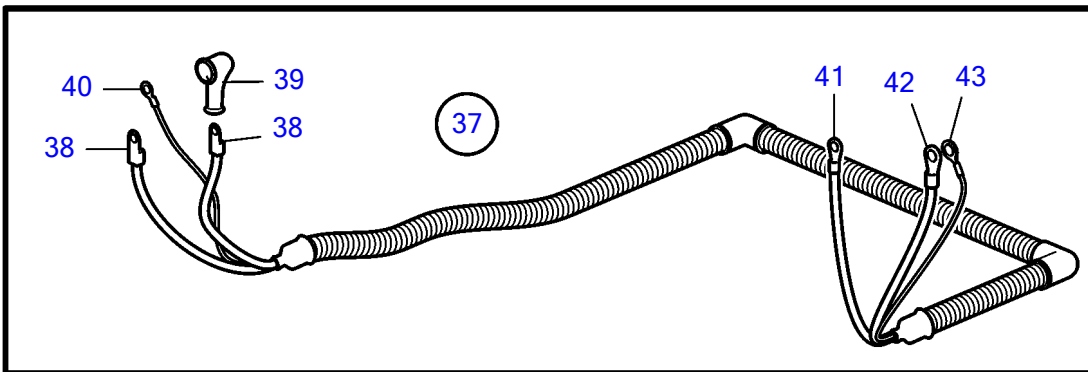
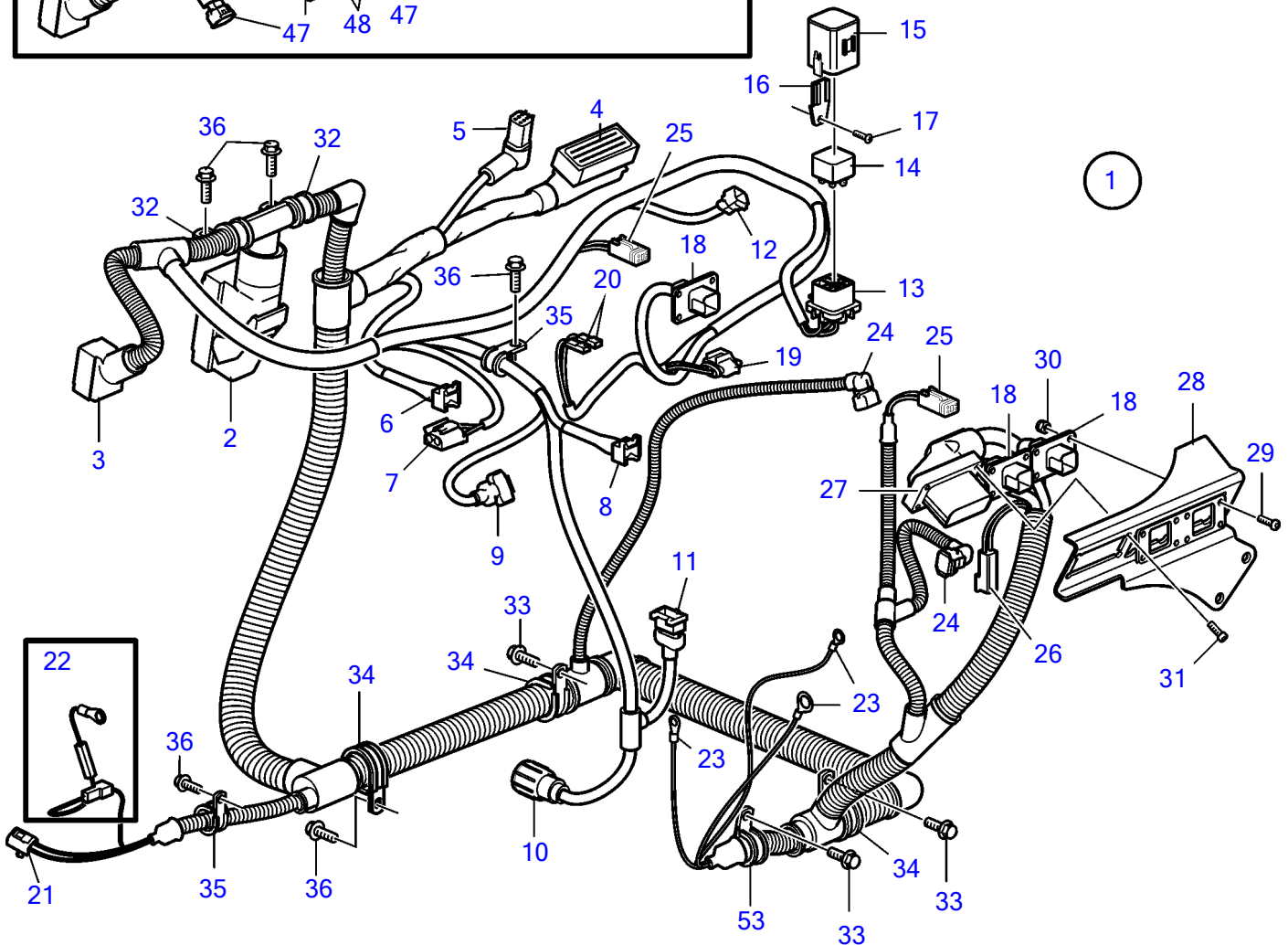
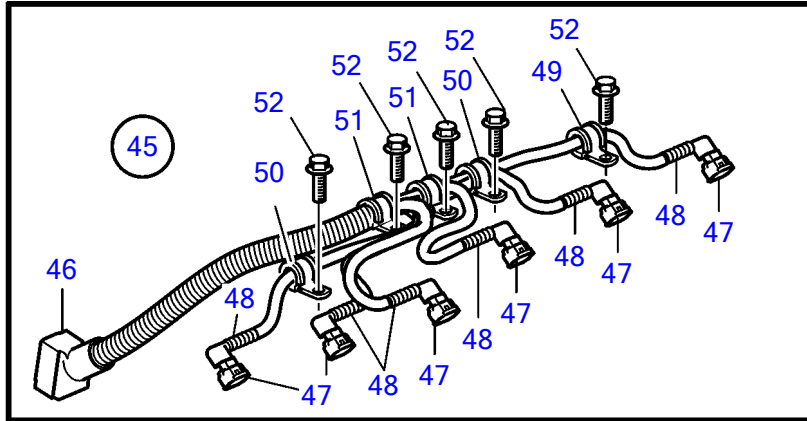


D6-280A-C, D6-280A-D, D6-280A-E, D6-280I-C, D6-280I-D, D6-280I-E, D6-310A-C, D6-310A-D, D6-310D-C, D6-310D-D, D6-310I-C, D6-310I-D, D6-330A-C, D6-330A-D, D6-330D-C, D6-330D-D, D6-330I-C, D6-330I-D, D6-370A-C, D6-370A-D, D6-370D-C, D6-370D-D, D6-370I-C, D6-370I-D, D6-310A-E, D6-310D-E, D6-310I-E, D6-330A-E, D6-330D-E, D6-330I-E, D6-370A-E, D6-370D-E, D6-370I-E, D6-400A-E, D6-435D-D, D6-435D-C, D6-435D-E, D6-435I-C, D6-435I-D, D6-435I-E



24734

D6-280A-C, D6-280A-D, D6-280A-E, D6-280I-C, D6-280I-D, D6-280I-E, D6-310A-C, D6-310A-D, D6-310D-C, D6-310D-D, D6-310I-C, D6-310I-D, D6-330A-C, D6-330A-D, D6-330D-C, D6-330D-D, D6-330I-C, D6-330I-D, D6-370A-C, D6-370A-D, D6-370D-C, D6-370D-D, D6-370I-C, D6-370I-D, D6-310A-E, D6-310D-E, D6-310I-E, D6-330A-E, D6-330D-E, D6-330I-E, D6-370A-E, D6-370D-E, D6-370I-E, D6-400A-E, D6-435D-D, D6-435D-C, D6-435D-E, D6-435I-C, D6-435I-D, D6-435I-E

REF	PART NO.	QTY	DESCRIPTION	NOTES
1	3595024	1	Wiring harness	
2	874567	1	• Cover, 89-pole	EDC-unit
3	874568	1	• Cover, 36-pole	EDC-unit
4	3889166	1	• Wiring harness	
5	874960	1	• Housing	
6	976256	1	• Housing	
7	970753	1	• Housing	
8	976256	1	• Housing	
9	874455	1	• Receptacle housing	3-pole
10	8159013	1	• Housing	
11	874211	1	• Tab housing	
12	874368	1	• Receptacle housing, pressure/temp	2-pole
13	3587172	1	• Relay socket	
14	873765	1	• Relay	12V
	3171420	1	• Relay	24V
15	3587173	1	• Relay box	
16	3587174	1	• Relay retainer	
17	969407	1	• 6 point socket screw	
18	992330	3	• Housing	
19	874456	1	• Receptacle housing	4-pole
20	973121	2	• Cable terminal	
21	1307048	1	• Housing	
22	881679	1	• Resistor, alternator	12V
	21967118	1	• Resistor, alternator	24V
23	940336	1	• Cable terminal	
	978969	1	• Cable terminal	
	978970	1	• Cable terminal	
24	874368	2	• Receptacle housing	2-pole
25	874957	2	• Housing	
26	874954	1	• Housing	
27	992329	1	• Housing	
28	3595025	1	Bracket	
29	969515	8	6 point socket screw, temperature	
30	963103	8	Lock nut	
31	969405	4	6 point socket screw, temperature	
32	952632	2	Clamp	
33	946440	3	Flange screw	
34	949997	3	Clamp	
35	952629	2	Clamp	
36	946501	5	Flange screw	
37	21163206	1	Wiring harness	
38	976478	1	• Cable terminal, alternator	
39	842150	1	• Protective cap	
40	973121	1	• Cable terminal, alternator	
41	940336	1	• Cable terminal, starter motor	
42	940337	1	• Cable terminal, starter motor	
43	978966	1	• Cable terminal, starter motor	
44	948211	X	Cable tie	
45	3809879	1	Wiring harness	
46	874569	1	• Retainer	
47	874368	4	• Receptacle housing	
48	3809871	4	• Rubber cap	
49	952624	1	Clamp	
50	952627	2	Clamp	
51	952629	2	Clamp	
52	946501	5	Flange screw	
53	945081	1	Clamp	