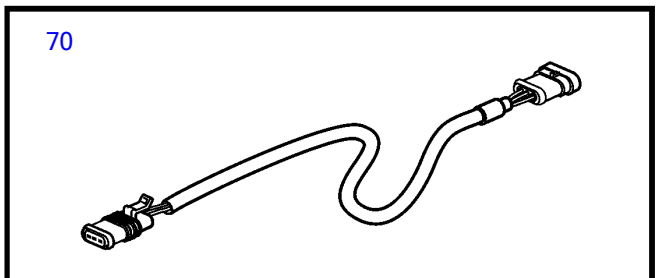
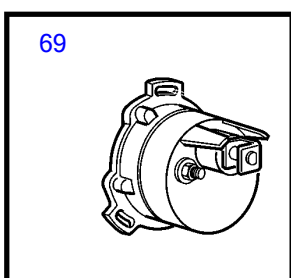
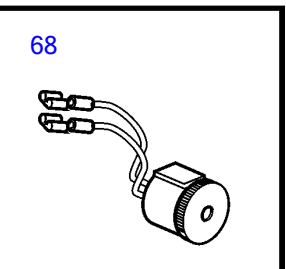
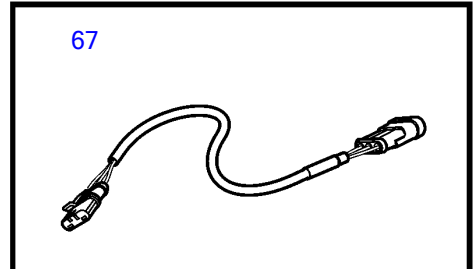
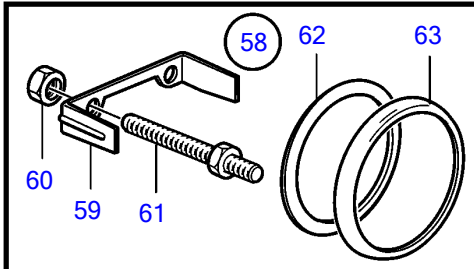
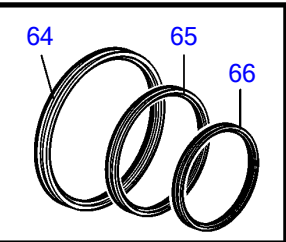
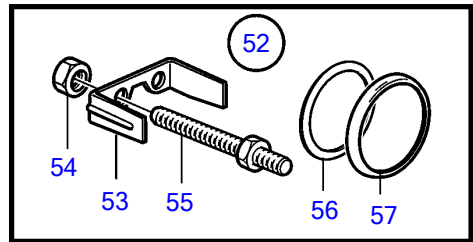
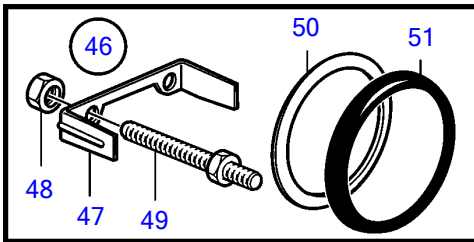
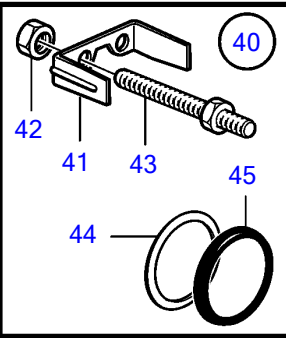
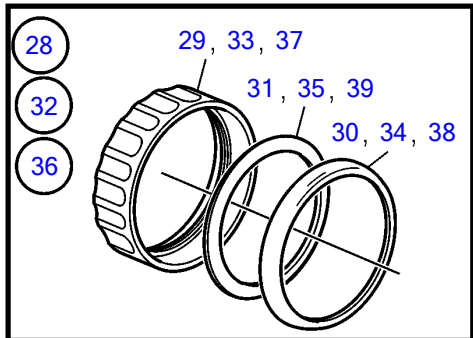
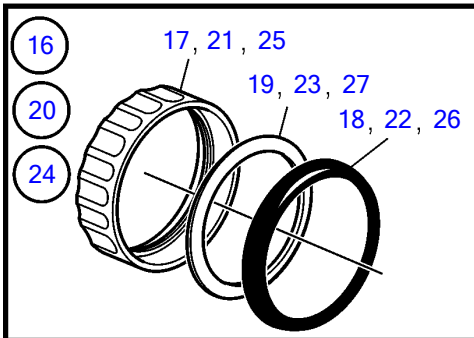
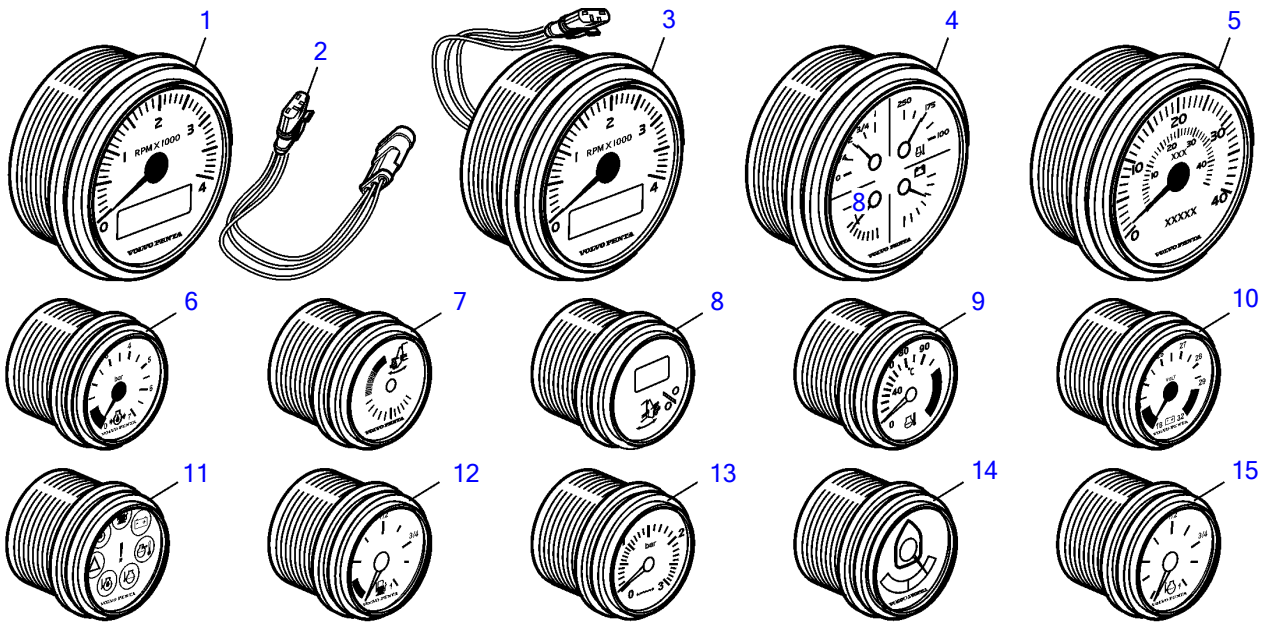


D6-280A-A, D6-280A-B, D6-280A-C, D6-280A-D, D6-280A-E, D6-280I-A, D6-280I-B, D6-280I-C, D6-280I-D, D6-280I-E, D6-310I-A, D6-310A-A, D6-310A-B, D6-310A-C, D6-310A-D, D6-310D-B, D6-310D-C, D6-310D-D, D6-310I-B, D6-310I-C, D6-310I-D, D6-330A-B, D6-330A-C, D6-330A-D, D6-330D-B, D6-330D-C, D6-330D-D, D6-330I-B, D6-330I-C, D6-330I-D, D6-350A-A, D6-350A-B, D6-370A-B, D6-370A-C, D6-370A-D, D6-370D-B, D6-370D-C, D6-370D-D, D6-370I-A, D6-370I-B, D6-370I-C, D6-370I-D, D6-310A-E, D6-310D-E, D6-310I-E, D6-330A-E, D6-330D-E, D6-330I-E, D6-370A-E, D6-370D-E, D6-370I-E, D6-400A-E, D6-435D-A, D6-435D-D, D6-435D-C, D6-435D-E, D6-435I-A, D6-435I-C, D6-435I-D, D6-435I-E



27263

D6-280A-A, D6-280A-B, D6-280A-C, D6-280A-D, D6-280A-E, D6-280I-A, D6-280I-B, D6-280I-C, D6-280I-D, D6-280I-E, D6-310I-A, D6-310A-A, D6-310A-B, D6-310A-C, D6-310A-D, D6-310D-B, D6-310D-C, D6-310D-D, D6-310I-B, D6-310I-C, D6-310I-D, D6-330A-B, D6-330A-C, D6-330A-D, D6-330D-B, D6-330D-C, D6-330D-D, D6-330I-B, D6-330I-C, D6-330I-D, D6-350A-A, D6-350A-B, D6-370A-B, D6-370A-C, D6-370A-D, D6-370D-B, D6-370D-C, D6-370D-D, D6-370I-A, D6-370I-B, D6-370I-C, D6-370I-D, D6-310A-E, D6-310D-E, D6-310I-E, D6-330A-E, D6-330D-E, D6-330I-E, D6-370A-E, D6-370D-E, D6-370I-E, D6-400A-E, D6-435D-A, D6-435D-D, D6-435D-C, D6-435D-E, D6-435I-A, D6-435I-C, D6-435I-D, D6-435I-E

| REF | PART NO.  | QTY | DESCRIPTION                | SEE SEC.    | NOTES  |
|-----|-----------|-----|----------------------------|-------------|--|
| 1   | 21509650  | 1   | Tachometer kit             |             | Black, 4000rpm, Cable included, D=85mm   |
|     | 21509649  | 1   | Tachometer kit             |             | White, 4000rpm, Cable included, D=85mm   |
| 2   | 3884843   | 1   | • Wiring harness           |             |  |
| 3   | 21234542  | 1   | Tachometer kit             |             | White, 4000rpm, Cable included, D=110mm  |
|     | 21234543  | 1   | Tachometer kit             |             | Black, 4000rpm, Cable included, D=110mm  |
| 4   | 3885214   | 1   | Instrument                 |             | Four in one gauge (oil pressure, coolant temp, fuel level, volt meter), White, D=110mm |
|     |           |     | • Bulletin P-36-9-3        | P-36-9-3-EN | New products in the EVC family   |
| 4   | 3885215   | 1   | Instrument                 |             | Four in one gauge (trim analog, coolant temp, fuel level, volt meter), White, D=110mm  |
|     |           |     | • Bulletin P-36-9-3        | P-36-9-3-EN | New products in the EVC family   |
| 4   | 3847876   | 1   | Instrument                 |             | Four in one gauge (oil pressure, coolant temp, fuel level, volt meter), Black, D=110mm |
|     |           |     | • Bulletin P-36-9-3        | P-36-9-3-EN | New products in the EVC family   |
| 4   | 3847879   | 1   | Instrument                 |             | Four in one gauge (trim analog, coolant temp, fuel level, volt meter), Black, D=110mm  |
|     |           |     | • Bulletin P-36-9-3        | P-36-9-3-EN | New products in the EVC family   |
| 5   | 874930    | 1   | Speedometer                |             | White 0-40 Knots, 0-40 mph   |
|     | 874917    | 1   | Speedometer                |             | Black 0-40 knots, 0-40 mph   |
|     | 881650    | 1   | Speedometer                |             | White 0-60 Knots, 0-60 mph   |
|     | 881645    | 1   | Speedometer                |             | Black 0-60 knots, 0-60 mph   |
|     | 3807508   | 1   | Speedometer                |             | Black, 0-40 mph  |
|     | 3847851   | 1   | Speedometer                |             | Black, 0-45 mph  |
|     | 3807510   | 1   | Speedometer                |             | Black, 0-60 mph  |
|     | 3847857   | 1   | Speedometer                |             | Black, 0-70 mph  |
|     | (3807512) | 1   | Speedometer                |             | Obsolete part, White, 0-40 mph   |
|     | 3847854   | 1   | Speedometer                |             | White, 0-45 mph  |
|     | 3807513   | 1   | Speedometer                |             | White, 0-60 mph  |
|     | 3847860   | 1   | Speedometer                |             | White, 0-70 mph  |
|     | 3595249   | 1   | Speedometer                |             | Unit neutral, White, D=110mm, 0-40   |
|     |           |     | • Bulletin P-36-9-3        | P-36-9-3-EN | New products in the EVC family   |
| 5   | 3595253   | 1   | Speedometer                |             | Unit neutral, White, D=110mm, 0-60   |
|     |           |     | • Bulletin P-36-9-3        | P-36-9-3-EN | New products in the EVC family   |
| 5   | 3595246   | 1   | Speedometer                |             | Unit neutral, Black, D=110mm, 0-40   |
|     |           |     | • Bulletin P-36-9-3        | P-36-9-3-EN | New products in the EVC family   |
| 5   | 3595250   | 1   | Speedometer                |             | Unit neutral, Black, D=110mm, 0-60   |
|     |           |     | • Bulletin P-36-9-3        | P-36-9-3-EN | New products in the EVC family   |
| 6   | 874919    | 1   | Oil pressure gauge         |             | Black 0-100 psi  |
|     | 874923    | 1   | Oil pressure gauge         |             | White 0-7 bar  |
|     | 874932    | 1   | Oil pressure gauge         |             | White 0-100 psi  |
| 7   | 3812881   | 1   | Instrument                 |             | Black analog   |
|     | 3812911   | 1   | Instrument                 |             | White analog   |
| 8   | 881648    | 1   | Trimmer                    |             | Black digital  |
|     | 881654    | 1   | Trimmer                    |             | White digital  |
| 9   | 874904    | 1   | Thermometer, coolant water |             | Black 0-120°C  |
|     | 874921    | 1   | Thermometer, coolant water |             | White 0-120°C  |
|     | 874918    | 1   | Thermometer, coolant water |             | Black 40-250 °F  |
|     | 874931    | 1   | Thermometer, coolant water |             | White 40-250 °F  |
|     | 881857    | 1   | Thermometer, oil           |             | Black 40-300 °F  |
|     | 881858    | 1   | Thermometer, oil           |             | White 40-300 °F  |
| 10  | 881649    | 1   | Voltmeter                  |             | 12V, black   |
|     | 881658    | 1   | Voltmeter                  |             | 12V, white   |
|     | 874913    | 1   | Voltmeter                  |             | 24V, black   |
|     | 874925    | 1   | Voltmeter                  |             | 24V, white   |
| 11  | 874915    | 1   | Instrument, alarm          |             | Black D=52mm   |
|     | 874927    | 1   | Instrument, alarm          |             | White D=52mm   |
| 12  | 874914    | 1   | Fuel gauge                 |             | Black D=52mm   |
|     | 874926    | 1   | Fuel gauge                 |             | White D=52mm   |
| 13  | 874910    | 1   | Turbo pressure gauge       |             | Black 0-3 bar  |
|     | 874920    | 1   | Turbo pressure gauge       |             | Black 0-45 psi   |
|     | 874924    | 1   | Turbo pressure gauge       |             | White 0-3 bar  |
|     | 874933    | 1   | Turbo pressure gauge       |             | White 0-45 psi   |
| 14  | 3812914   | 1   | Rudder indicator           |             | Black  |

7746210-30-22157

27263

Upd:2014-07-03

D6-280A-A, D6-280A-B, D6-280A-C, D6-280A-D, D6-280A-E, D6-280I-A, D6-280I-B, D6-280I-C, D6-280I-D, D6-280I-E, D6-310I-A, D6-310A-A, D6-310A-B, D6-310A-C, D6-310A-D, D6-310D-B, D6-310D-C, D6-310D-D, D6-310I-B, D6-310I-C, D6-310I-D, D6-330A-B, D6-330A-C, D6-330A-D, D6-330D-B, D6-330D-C, D6-330D-D, D6-330I-B, D6-330I-C, D6-330I-D, D6-350A-A, D6-350A-B, D6-370A-B, D6-370A-C, D6-370A-D, D6-370D-B, D6-370D-C, D6-370D-D, D6-370I-A, D6-370I-B, D6-370I-C, D6-370I-D, D6-310A-E, D6-310D-E, D6-310I-E, D6-330A-E, D6-330D-E, D6-330I-E, D6-370A-E, D6-370D-E, D6-370I-E, D6-400A-E, D6-435D-A, D6-435D-D, D6-435D-C, D6-435D-E, D6-435I-A, D6-435I-C, D6-435I-D, D6-435I-E

| REF | PART NO.  | QTY | DESCRIPTION                | SEE SEC.    | NOTES                          |
|-----|-----------|-----|----------------------------|-------------|--------------------------------|
|     | 3812917   | 1   | Rudder indicator           |             | White                          |
| 15  | 874911    | 1   | Pressure gauge, freshwater |             | Black 0-3 bar                  |
|     | 874912    | 1   | Pressure gauge, sea water  |             | Black 0-3 bar                  |
| 16  | 874709    | 1   | Mounting kit               |             | Black D=52mm                   |
| 17  | 874450    | 1   | • Attaching ring           |             |                                |
| 18  | 874448    | 1   | • Ring                     |             |                                |
| 19  | 874707    | 1   | • Gasket                   |             |                                |
| 20  | 874708    | 1   | Mounting kit               |             | Black D=85mm                   |
| 21  | 874449    | 1   | • Attaching ring           |             |                                |
| 22  | 874447    | 1   | • Ring                     |             |                                |
| 23  | 874706    | 1   | • Gasket                   |             |                                |
| 24  | 3847888   | 1   | Mounting kit               |             | Black D=110mm                  |
|     |           |     | • Bulletin P-36-9-3        | P-36-9-3-EN | New products in the EVC family |
| 25  | (3884098) | 1   | • Attaching ring           |             | Obsolete part                  |
| 26  | 3847887   | 1   | • Ring                     |             |                                |
| 27  | 3884103   | 1   | • Gasket                   |             |                                |
| 28  | 874733    | 1   | Mounting kit               |             | Chrome D=52mm                  |
| 29  | 874450    | 1   | • Attaching ring           |             |                                |
| 30  | 874731    | 1   | • Ring                     |             |                                |
| 31  | 874707    | 1   | • Gasket                   |             |                                |
| 32  | 874732    | 1   | Mounting kit               |             | Chrome D=85mm                  |
| 33  | 874449    | 1   | • Attaching ring           |             |                                |
| 34  | 874730    | 1   | • Ring                     |             |                                |
| 35  | 874706    | 1   | • Gasket                   |             |                                |
| 36  | 3885216   | 1   | Mounting kit               |             | Chrome D=110mm                 |
|     |           |     | • Bulletin P-36-9-3        | P-36-9-3-EN | New products in the EVC family |
| 37  | (3884098) | 1   | • Attaching ring           |             | Obsolete part                  |
| 38  | 3884096   | 1   | • Ring                     |             |                                |
| 39  | 3884103   | 1   | • Gasket                   |             |                                |
| 40  | 881611    | 1   | Brace kit                  |             | Black D=52mm                   |
| 41  | 881607    | 1   | • Brace                    |             |                                |
| 42  | 881610    | 2   | • Nut                      |             |                                |
| 43  | 881609    | 2   | • Stud                     |             |                                |
| 44  | 874707    | 1   | • Gasket                   |             |                                |
| 45  | 874448    | 1   | • Ring                     |             |                                |
| 46  | 881612    | 1   | Brace kit                  |             | Black D=85mm                   |
| 47  | 881608    | 1   | • Brace                    |             |                                |
| 48  | 881610    | 2   | • Nut                      |             |                                |
| 49  | 881609    | 2   | • Stud                     |             |                                |
| 50  | 874706    | 1   | • Gasket                   |             |                                |
| 51  | 874447    | 1   | • Ring                     |             |                                |
| 52  | 881613    | 1   | Brace kit                  |             | Chrome D=52mm                  |
| 53  | 881607    | 1   | • Brace                    |             |                                |
| 54  | 881610    | 2   | • Nut                      |             |                                |
| 55  | 881609    | 2   | • Stud                     |             |                                |
| 56  | 874707    | 1   | • Gasket                   |             |                                |
| 57  | 874731    | 1   | • Ring                     |             |                                |
| 58  | 881614    | 1   | Brace kit                  |             | Chrome D=85mm                  |
| 59  | 881608    | 1   | • Brace                    |             |                                |
| 60  | 881610    | 2   | • Nut                      |             |                                |
| 61  | 881609    | 2   | • Stud                     |             |                                |
| 62  | 874706    | 1   | • Gasket                   |             |                                |
| 63  | 874730    | 1   | • Ring                     |             |                                |
| 64  | 3886791   | 1   | X-ring                     |             | For flush mounting., D=110mm   |
|     |           |     | • Bulletin P-36-9-3        | P-36-9-3-EN | New products in the EVC family |
| 65  | 874844    | 1   | X-ring                     |             | For flush mounting., D=85mm    |
| 66  | 874843    | 1   | X-ring                     |             | For flush mounting., D=52mm    |
| 67  | 874759    | 1   | Extension cable'verl       |             | L=1000mm                       |
|     | 3807043   | 1   | Extension cable'verl       |             | L=3000mm                       |
| 68  | 3817974   | 1   | Alarm                      |             |                                |
| 69  | 3809099   | 1   | Rudder position sens       |             | Rudder indicator               |
| 70  | 22275729  | 1   | Extension cable'verl       |             | L=300mm                        |