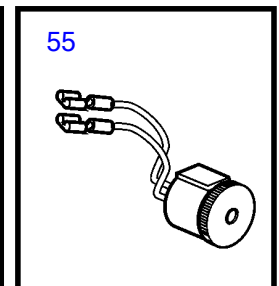
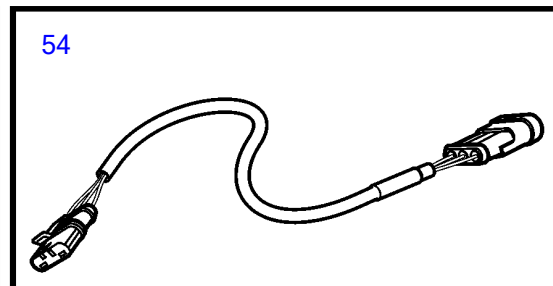
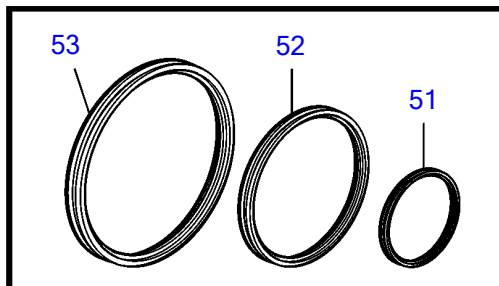
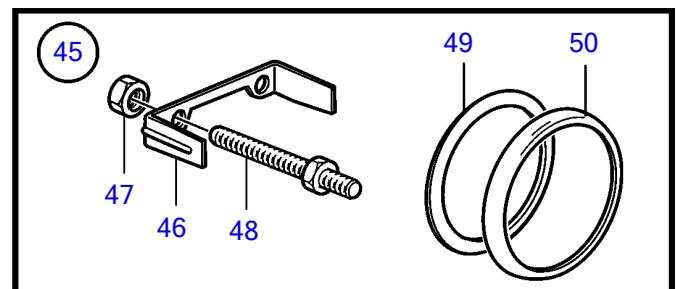
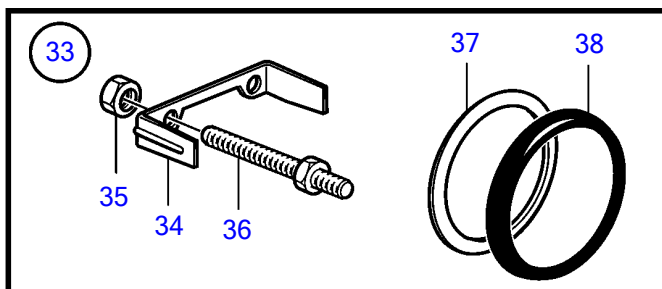
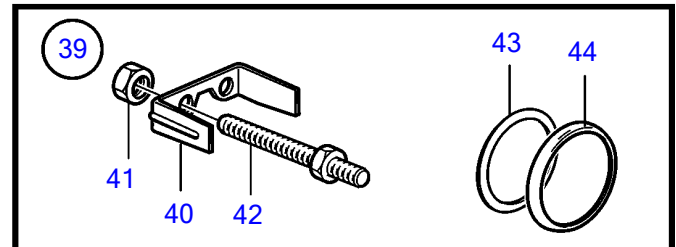
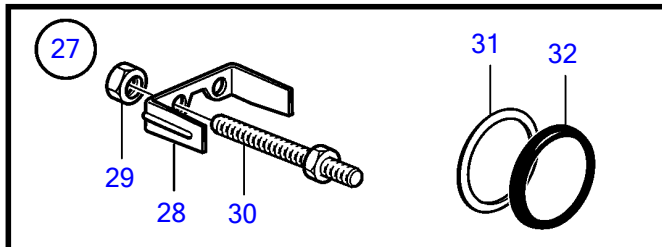
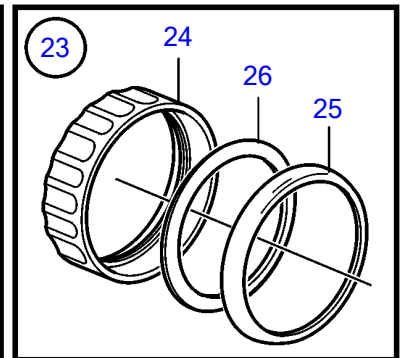
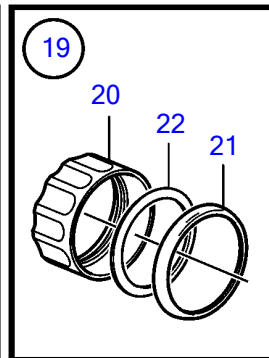
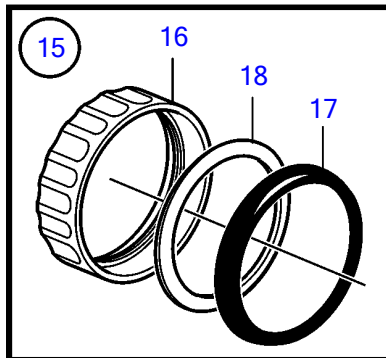
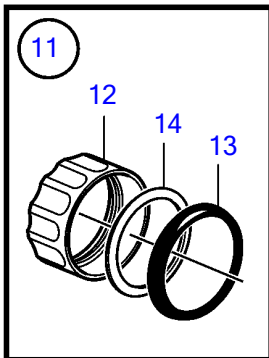
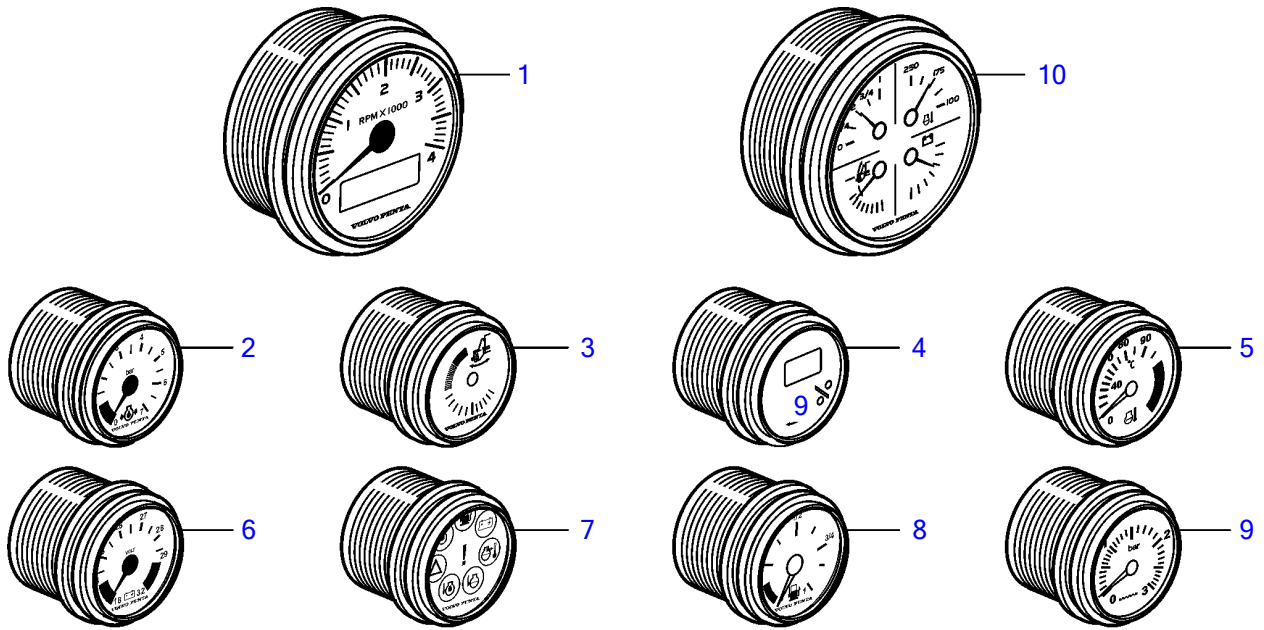


D6-280A-B, D6-280I-B, D6-310A-B, D6-310D-B, D6-310I-B, D6-350A-B, D6-370A-B, D6-370D-B, D6-370I-B



D6-280A-B, D6-280I-B, D6-310A-B, D6-310D-B, D6-310I-B, D6-350A-B, D6-370A-B, D6-370D-B, D6-370I-B

REF	PART NO.	QTY	DESCRIPTION	SEE SEC.	NOTES
1	881646	1	Tachometer		Engine speed/hours, Black D=85mm
	881652	1	Tachometer		Engine speed/hours, White D=85mm
2	874908	1	Oil pressure gauge		Black 0-7 bar
	874919	1	Oil pressure gauge		Black 0-100 psi
	874923	1	Oil pressure gauge		White 0-7 bar
	874932	1	Oil pressure gauge		White 0-100 psi
3	3812881	1	Instrument		Black analog, (874948)
	3812911	1	Instrument		White analog, (874949)
4	881648	1	Trimmer		Black digital
	881654	1	Trimmer		White digital
5	874904	1	Thermometer, coolant water		Black 0-120°C
	874921	1	Thermometer, coolant water		White 0-120°C
	874918	1	Thermometer, coolant water		Black 40-250 °F
	874931	1	Thermometer, coolant water		White 40-250 °F
	881857	1	Thermometer, oil		Black 40-300 °F
	881858	1	Thermometer, oil		White 40-300 °F
6	881649	1	Voltmeter		12V, black
	881658	1	Voltmeter		12V, white
	874913	1	Voltmeter		24V, black
	874925	1	Voltmeter		24V, white
7	874915	1	Instrument, alarm		Black D=52mm
	874927	1	Instrument, alarm		White D=52mm
8	874914	1	Fuel gauge		Black D=52mm
	874926	1	Fuel gauge		White D=52mm
9	874910	1	Turbo pressure gauge		Black 0-3 bar
	874920	1	Turbo pressure gauge		Black 0-45 psi
	874924	1	Turbo pressure gauge		White 0-3 bar
	874933	1	Turbo pressure gauge		White 0-45 psi
10	3885214	1	Instrument		Four in one gauge (oil pressure, coolant temp, fuel level, volt meter)
			• Bulletin P-36-9-3	P-36-9-3-EN	New products in the EVC family
10	3885215	1	Instrument		Four in one gauge (trim analog, coolant temp, fuel level, volt meter)
			• Bulletin P-36-9-3	P-36-9-3-EN	New products in the EVC family
11	874709	1	Mounting kit		Black D=52mm
12	874450	1	• Attaching ring		
13	874448	1	• Ring		
14	874707	1	• Gasket		
15	874708	1	Mounting kit		Black D=85mm
16	874449	1	• Attaching ring		
17	874447	1	• Ring		
18	874706	1	• Gasket		
19	874733	1	Mounting kit		Chrome D=52mm
20	874450	1	• Attaching ring		
21	874731	1	• Ring		
22	874707	1	• Gasket		
23	874732	1	Mounting kit		Chrome D=85mm
24	874449	1	• Attaching ring		
25	874730	1	• Ring		
26	874706	1	• Gasket		
27	881611	1	Brace kit		Black D=52mm
28	881607	1	• Brace		
29	881610	2	• Nut		
30	881609	2	• Stud		
31	874707	1	• Gasket		
32	874448	1	• Ring		
33	881612	1	Brace kit		Black D=85mm
34	881608	1	• Brace		
35	881610	2	• Nut		
36	881609	2	• Stud		
37	874706	1	• Gasket		
38	874447	1	• Ring		
39	881613	1	Brace kit		Chrome D=52mm
40	881607	1	• Brace		
41	881610	2	• Nut		
42	881609	2	• Stud		
43	874707	1	• Gasket		
44	874731	1	• Ring		

7746210-30-8244

23760

Upd:2014-07-03

