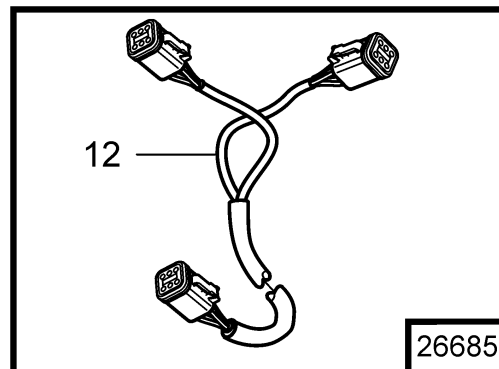
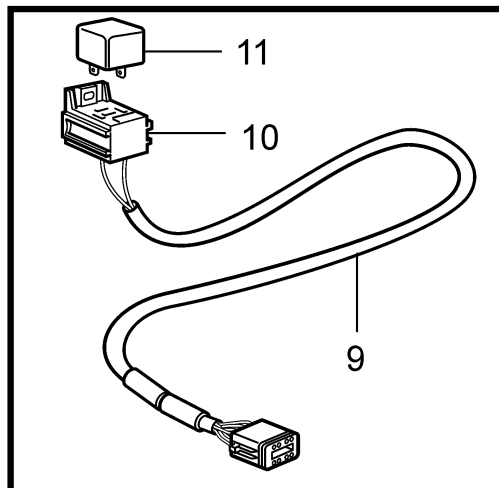
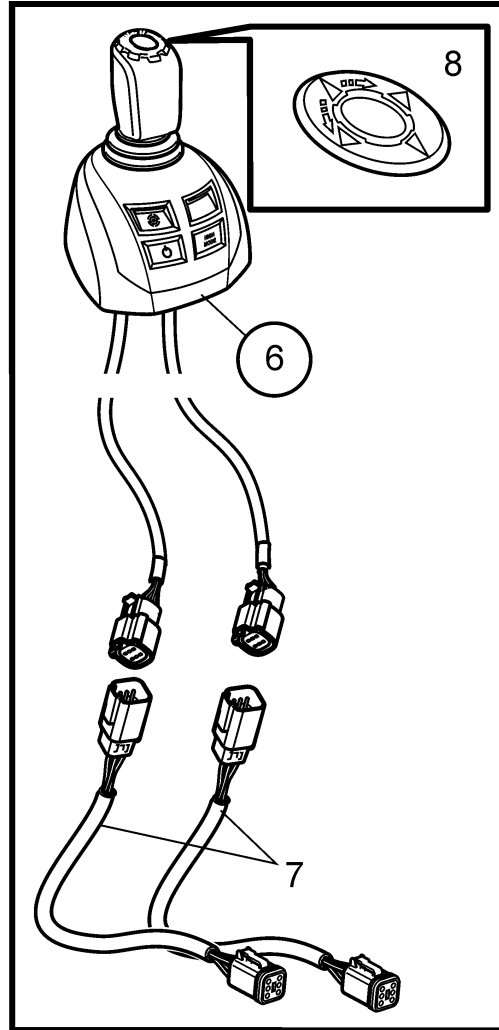
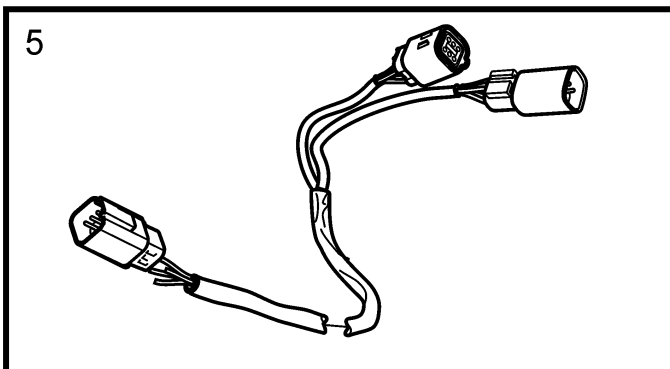
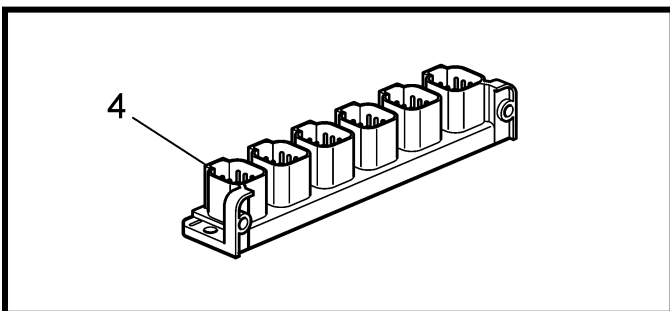
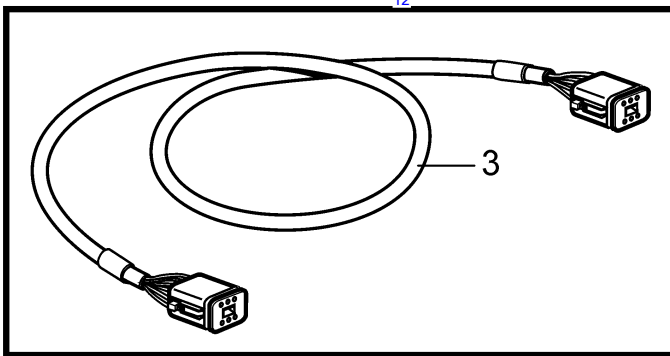
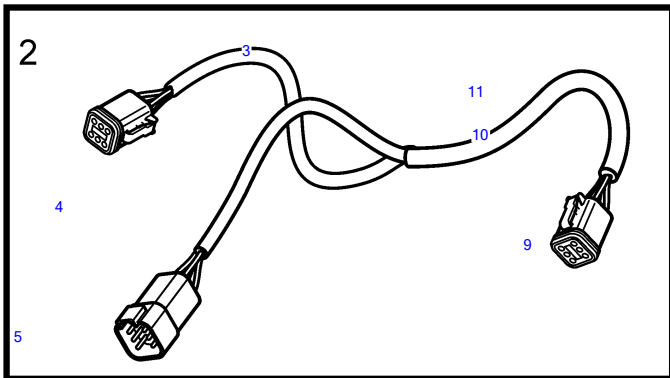
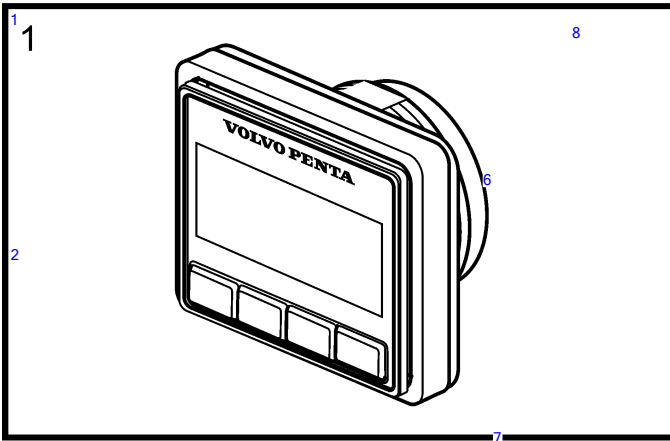


D6-310D-E, D6-330D-E, D6-370D-E, D6-435D-E



26685

D6-310D-E, D6-330D-E, D6-370D-E, D6-435D-E

REF	PART NO.	QTY	DESCRIPTION	NOTES
1	21761722	1	Display	
2	3588972	4	Cable kit	
3	3886666	1	Cable	
4	21469055	1	Connection block	
5	21421941	2	Cable	
6	21466165	1	Kit	
7	21421926	2	• Cable	
8	21960577	1	Knob	
9	21450563	2	Cable	
10	977184	1	• Housing	
11	873765	1	Relay	12V
	3171420	1	Relay	24V
12	21287072	1	Wiring harness	