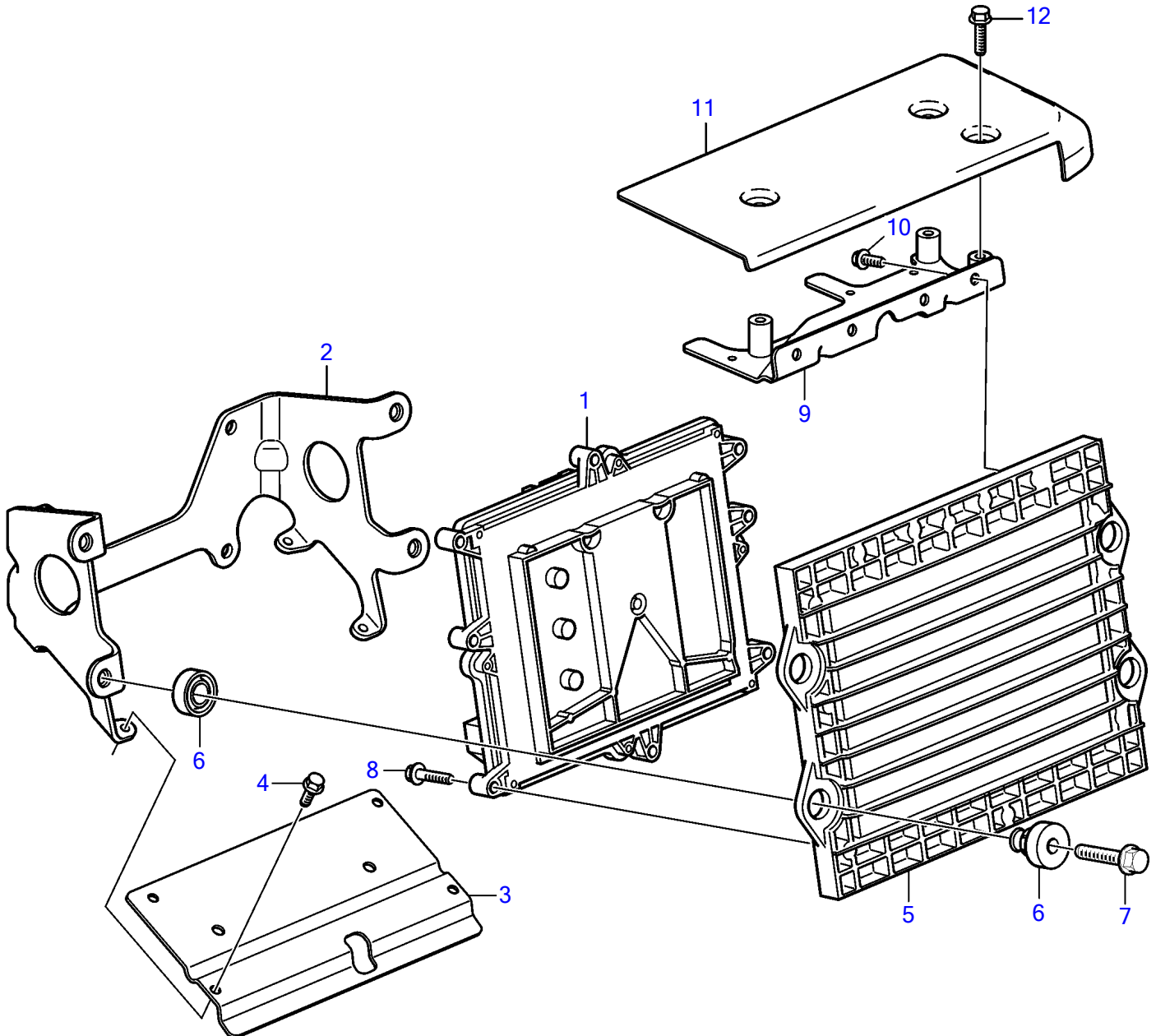


D6-350A-A, D6-350A-B, D6-370A-B, D6-370A-C, D6-370A-D, D6-370D-B, D6-370D-C, D6-370D-D, D6-370A-E, D6-370D-E,
 D6-400A-E, D6-435D-A, D6-435D-D, D6-435D-C, D6-435D-E



25506

D6-350A-A, D6-350A-B, D6-370A-B, D6-370A-C, D6-370A-D, D6-370D-B, D6-370D-C, D6-370D-D, D6-370A-E, D6-370D-E, D6-400A-E, D6-435D-A, D6-435D-D, D6-435D-C, D6-435D-E

REF	PART NO.	QTY	DESCRIPTION	NOTES
1	881810	1	Control unit, not programmed	
	3586269	1	Software	Warehouse programming. This p/n can not be ordered, but will be used for invoicing.
	3586268	1	Software	Vodia-programming. This p/n can not be ordered, but will be used for invoicing.
2	3582991	1	Bracket	
3	3583216	1	Heat shield	
4	946501	4	Flange screw	
5	3584080	1	Support	
6	3842049	4	Damping element	
7	946671	4	Flange screw	
8	949556	8	Flange screw	
9	21174222	1	Bracket	
10	967949	4	Flange screw	
11	21721137	1	Cover	
12	946934	3	Flange screw	