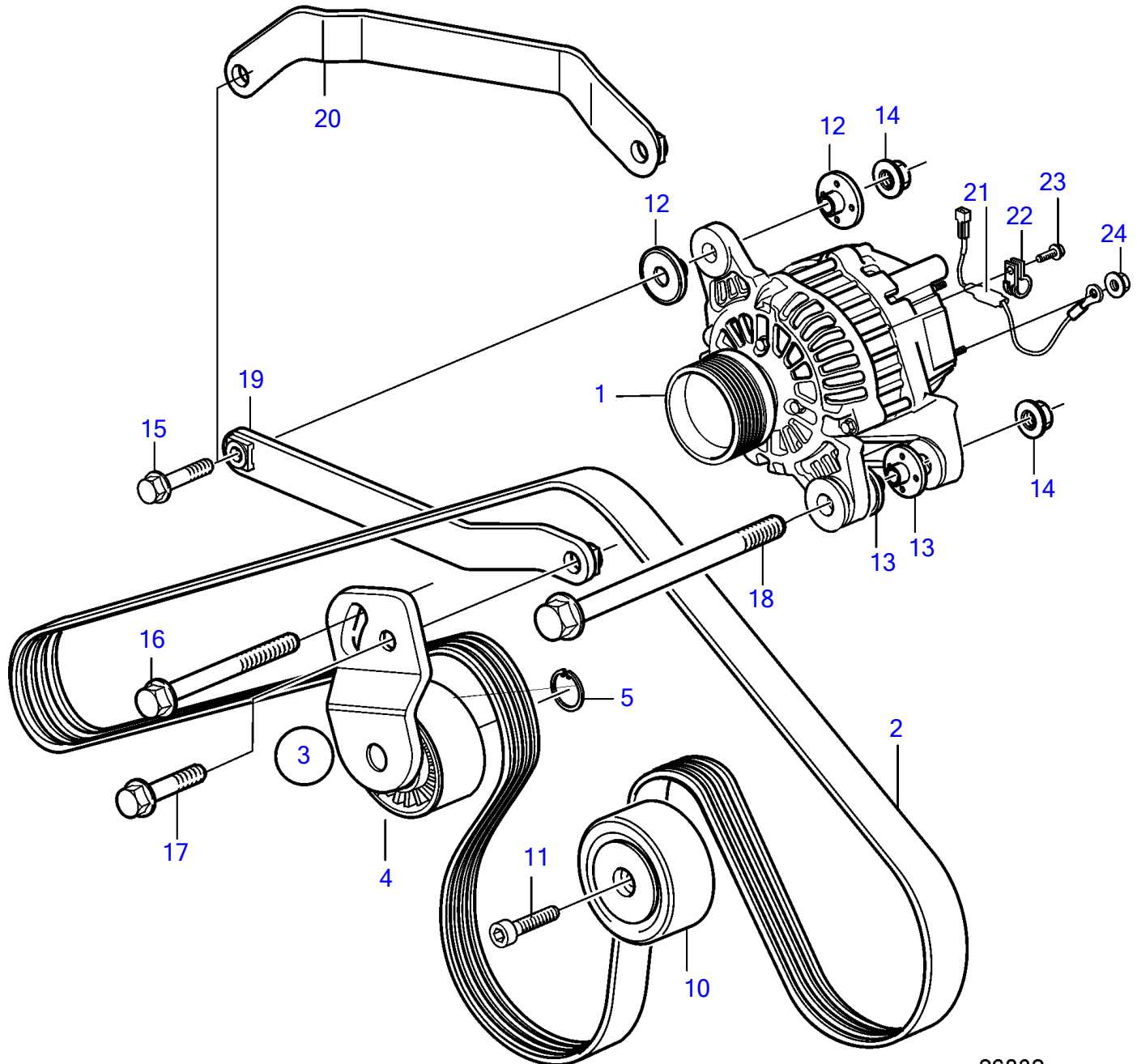
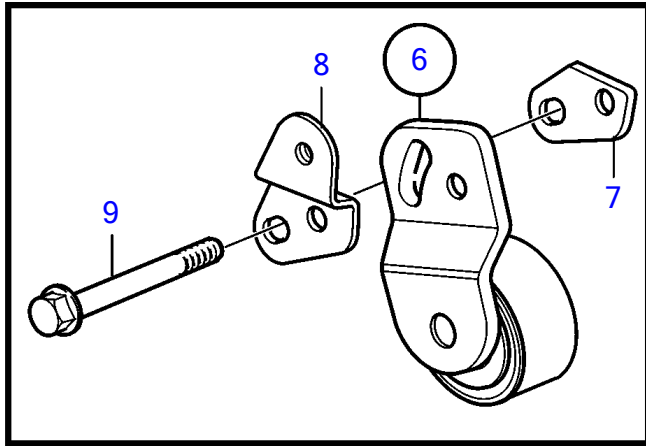


D6-280A-A, D6-280A-B, D6-280A-C, D6-280I-A, D6-280I-B, D6-280I-C, D6-310I-A, D6-310A-A, D6-310A-B, D6-310A-C, D6-310D-B, D6-310D-C, D6-310I-B, D6-310I-C, D6-330A-B, D6-330A-C, D6-330D-B, D6-330D-C, D6-330I-B, D6-330I-C, D6-350A-A, D6-350A-B, D6-370A-B, D6-370A-C, D6-370D-B, D6-370D-C, D6-370I-A, D6-370I-B, D6-370I-C, D6-435D-A, D6-435D-C, D6-435I-A, D6-435I-C



26832

D6-280A-A, D6-280A-B, D6-280A-C, D6-280I-A, D6-280I-B, D6-280I-C, D6-310I-A, D6-310A-A, D6-310A-B, D6-310A-C, D6-310D-B, D6-310D-C, D6-310I-B, D6-310I-C, D6-330A-B, D6-330A-C, D6-330D-B, D6-330D-C, D6-330I-B, D6-330I-C, D6-350A-A, D6-350A-B, D6-370A-B, D6-370A-C, D6-370D-B, D6-370D-C, D6-370I-A, D6-370I-B, D6-370I-C, D6-435D-A, D6-435D-C, D6-435I-A, D6-435I-C

REF	PART NO.	QTY	DESCRIPTION	NOTES
1	3803911	1	Alternator, exch	14V, 115A
	3803912	1	Alternator, exch	28V, 80A
2	3583729	1	Belt, generator	Standard
	991586	1	V-ribbed belt, generator	SOLAS
	3582696	1	V-ribbed belt, power steering pump	Standard
	991589	1	V-ribbed belt, power steering pump	SOLAS
3	3583665	1	Belt tensioner	Replaced by 21344508
4	3582694	1	• Pulley	
5	914451	1	• Snap ring	
6	21344508	1	Belt tensioner	
7		1	• Spacer disc	
8		1	• Bracket	
9	965190	1	• Flange screw	
10	3847482	2	Idler pulley	(3848896)
11	959224	2	Hex. socket screw	
12	3589369	2	Insulating bushing	D=8mm
13	21308514	2	Insulating bushing	D=12mm
14	971096	2	Flange nut	
15	946470	1	Flange screw	
16	965189	1	Flange screw	
17	965186	1	Flange screw	
18	978447	1	Flange screw	
19	3584076	1	Bracket	
20	3588184	1	Bracket	350A-B, 370D-B, 435D-A, For compressor
21	881679	1	Resistor	12V
	21967118	1	Resistor	24V
22	952626	1	Clamp	
23	948663	1	Flange screw	
24	983712	1	Hexagon nut	