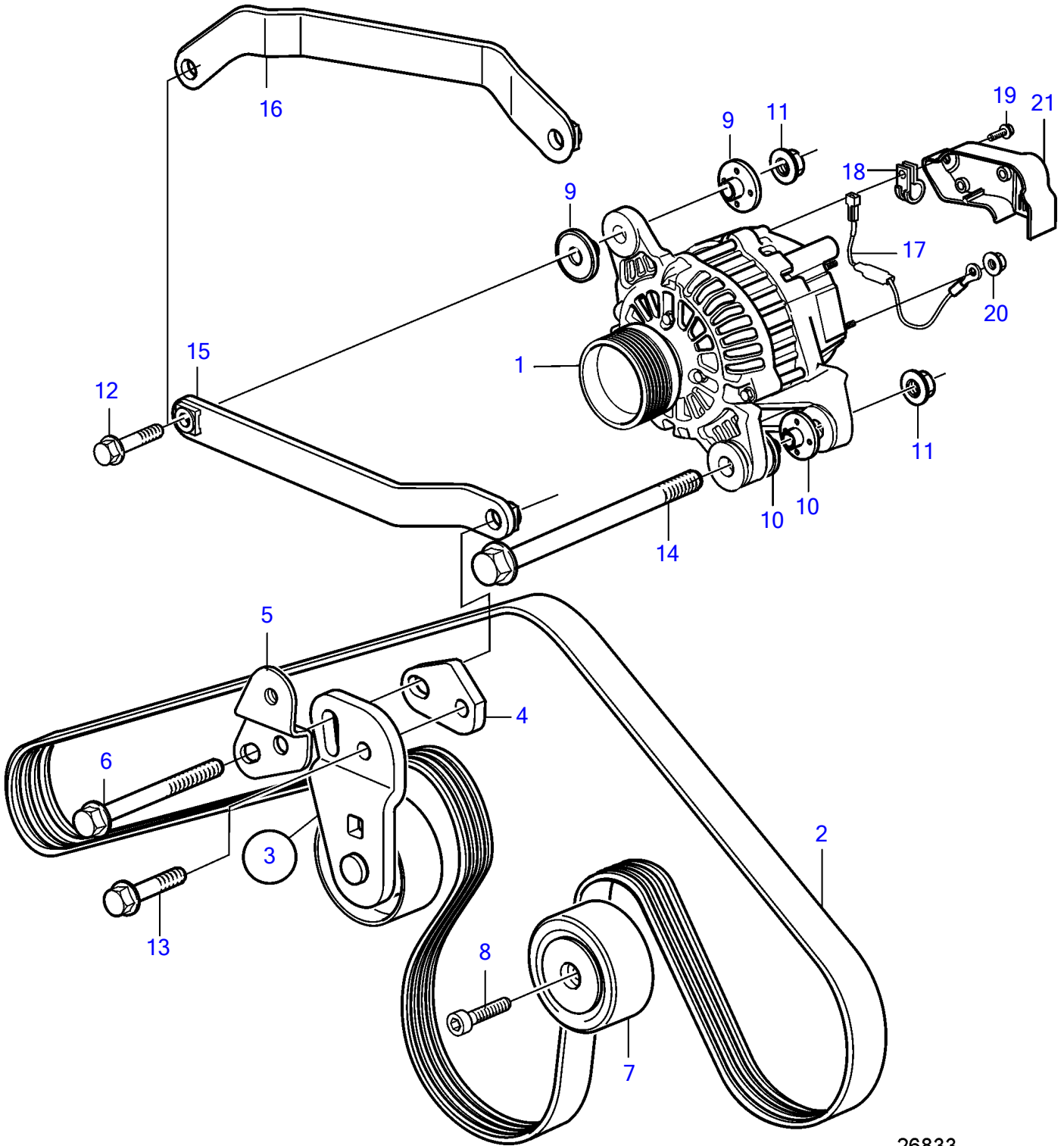


D6-280A-A, D6-280A-B, D6-280A-C, D6-280A-D, D6-280A-E, D6-280I-A, D6-280I-B, D6-280I-C, D6-280I-D, D6-280I-E, D6-310I-A, D6-310A-A, D6-310A-B, D6-310A-C, D6-310A-D, D6-310D-B, D6-310D-C, D6-310D-D, D6-310I-B, D6-310I-C, D6-310I-D, D6-330A-B, D6-330A-C, D6-330A-D, D6-330D-B, D6-330D-C, D6-330D-D, D6-330I-B, D6-330I-C, D6-330I-D, D6-350A-A, D6-350A-B, D6-370A-B, D6-370A-C, D6-370A-D, D6-370D-B, D6-370D-C, D6-370D-D, D6-370I-A, D6-370I-B, D6-370I-C, D6-370I-D, D6-310A-E, D6-310D-E, D6-310I-E, D6-330A-E, D6-330D-E, D6-330I-E, D6-370A-E, D6-370D-E, D6-370I-E, D6-400A-E, D6-435D-A, D6-435D-D, D6-435D-C, D6-435D-E, D6-435I-A, D6-435I-C, D6-435I-D, D6-435I-E



26833

D6-280A-A, D6-280A-B, D6-280A-C, D6-280A-D, D6-280A-E, D6-280I-A, D6-280I-B, D6-280I-C, D6-280I-D, D6-280I-E, D6-310I-A, D6-310A-A, D6-310A-B, D6-310A-C, D6-310A-D, D6-310D-B, D6-310D-C, D6-310D-D, D6-310I-B, D6-310I-C, D6-310I-D, D6-330A-B, D6-330A-C, D6-330A-D, D6-330D-B, D6-330D-C, D6-330D-D, D6-330I-B, D6-330I-C, D6-330I-D, D6-350A-A, D6-350A-B, D6-370A-B, D6-370A-C, D6-370A-D, D6-370D-B, D6-370D-C, D6-370D-D, D6-370I-A, D6-370I-B, D6-370I-C, D6-370I-D, D6-310A-E, D6-310D-E, D6-310I-E, D6-330A-E, D6-330D-E, D6-330I-E, D6-370A-E, D6-370D-E, D6-370I-E, D6-400A-E, D6-435D-A, D6-435D-D, D6-435D-C, D6-435D-E, D6-435I-A, D6-435I-C, D6-435I-D, D6-435I-E

REF	PART NO.	QTY	DESCRIPTION	NOTES
1	3803911	1	Alternator, exch	14V, 115A
	3803912	1	Alternator, exch	28V, 80A, SOLAS
2	3583729	1	Belt, generator	Standard
	991586	1	V-ribbed belt, generator	SOLAS
	3582696	1	V-ribbed belt, power steering pump	Standard
	991589	1	V-ribbed belt, power steering pump	SOLAS
3	21344508	1	Belt tensioner	
4		1	• Spacer disc	
5		1	• Bracket	
6	965190	1	• Flange screw	
7	3847482	2	Idler pulley	
8	959224	2	Hex. socket screw	
9	3589369	2	Insulating bushing	D=8mm
10	21308514	2	Insulating bushing	D=12mm
11	971096	2	Flange nut	
12	946470	1	Flange screw	
13	965186	1	Flange screw	
14	978447	1	Flange screw	
15	3584076	1	Bracket	
16	3588184	1	Bracket	D6-350, D6-370, D6-435, For compressor
17	881679	1	Resistor	12V
	21967118	1	Resistor	24V
18	952627	1	Clamp	
19	948663	1	Flange screw	
20	983712	1	Hexagon nut	
21	21217571	1	Housing	