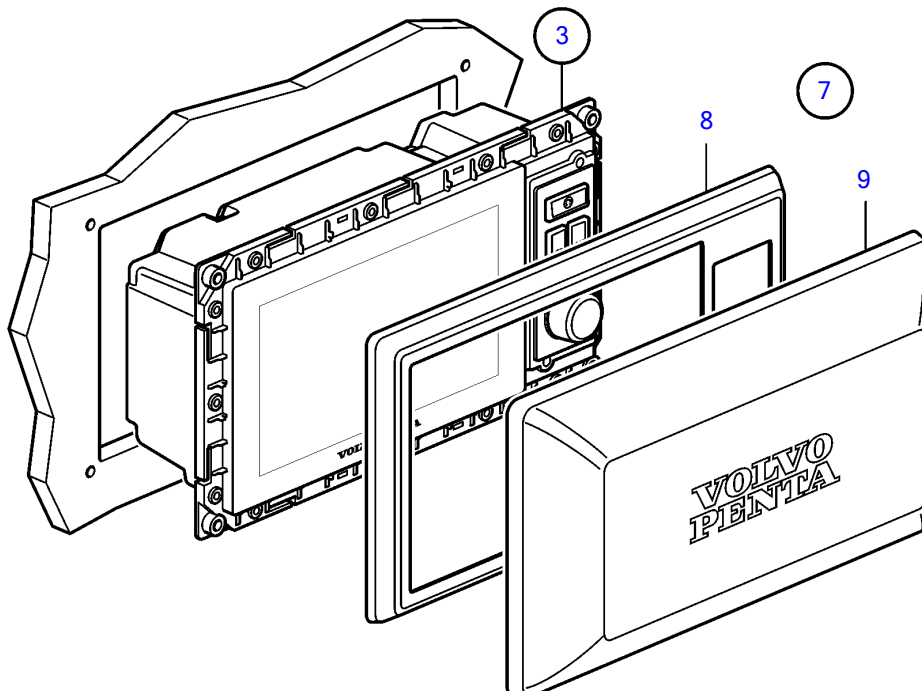
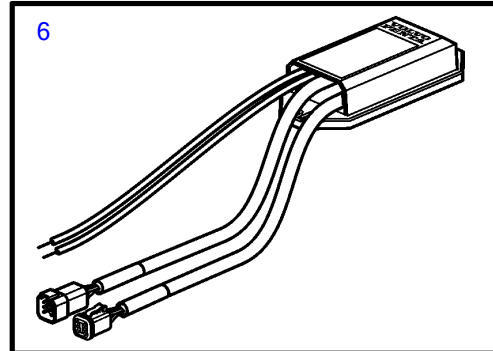
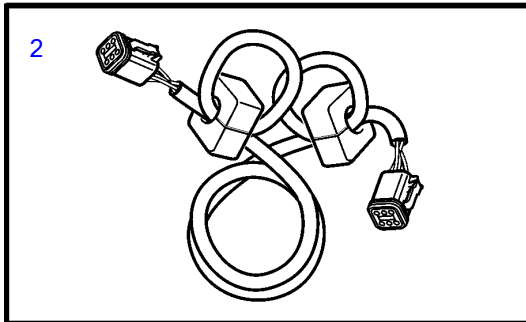
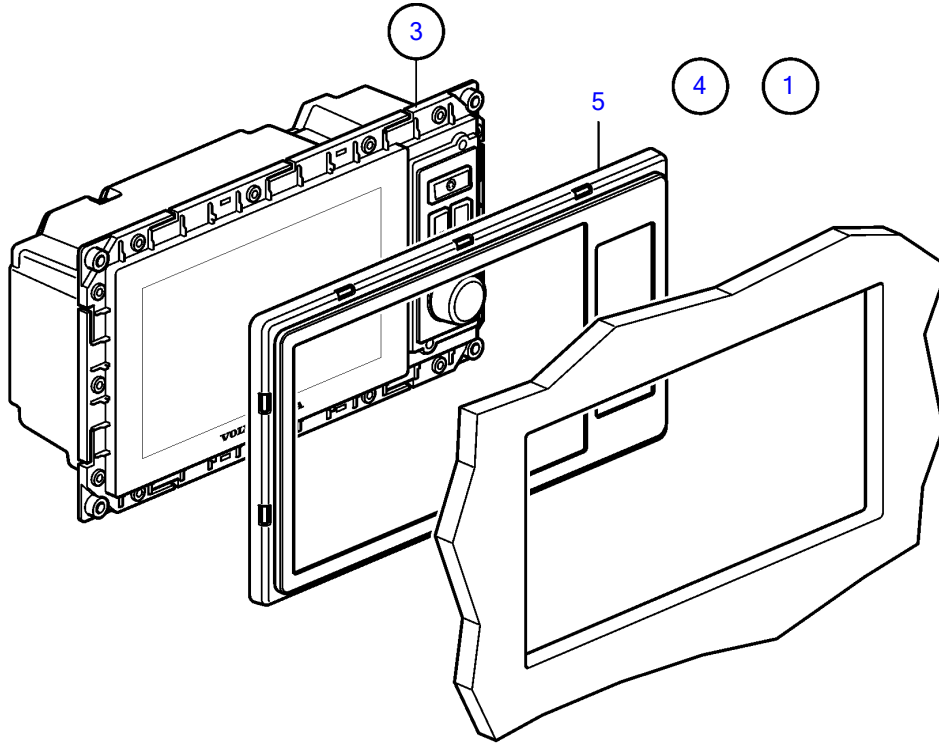


D6-280A-A, D6-280A-B, D6-280A-C, D6-280A-E, D6-280I-A, D6-280I-B, D6-280I-C, D6-280I-E, D6-310I-A, D6-310A-A, D6-310A-B, D6-310A-C, D6-310D-B, D6-310D-C, D6-310I-B, D6-310I-C, D6-330A-B, D6-330A-C, D6-330D-B, D6-330D-C, D6-330I-B, D6-330I-C, D6-350A-A, D6-350A-B, D6-370A-B, D6-370A-C, D6-370D-B, D6-370D-C, D6-370I-A, D6-370I-B, D6-370I-C, D6-310A-E, D6-310D-E, D6-310I-E, D6-330A-E, D6-330D-E, D6-330I-E, D6-370A-E, D6-370D-E, D6-370I-E, D6-400A-E, D6-435D-A, D6-435D-D, D6-435D-C, D6-435D-E, D6-435I-A, D6-435I-C, D6-435I-E



25293

D6-280A-A, D6-280A-B, D6-280A-C, D6-280A-E, D6-280I-A, D6-280I-B, D6-280I-C, D6-280I-E, D6-310I-A, D6-310A-A, D6-310A-B, D6-310A-C, D6-310D-B, D6-310D-C, D6-310I-B, D6-310I-C, D6-330A-B, D6-330A-C, D6-330D-B, D6-330D-C, D6-330I-B, D6-330I-C, D6-350A-A, D6-350A-B, D6-370A-B, D6-370A-C, D6-370D-B, D6-370D-C, D6-370I-A, D6-370I-B, D6-370I-C, D6-310A-E, D6-310D-E, D6-310I-E, D6-330A-E, D6-330D-E, D6-330I-E, D6-370A-E, D6-370D-E, D6-370I-E, D6-400A-E, D6-435D-A, D6-435D-D, D6-435D-C, D6-435D-E, D6-435I-A, D6-435I-C, D6-435I-E

REF	PART NO.	QTY	DESCRIPTION	NOTES
1	21501717	1	Display	For flush mounting., replaced by next part number
	21685202	1	Display	For flush mounting.
2	21514712	1	• Cable	
3		1	• Kit	
		1	• • Display	
4	21330288	1	Frame	For flush mounting.
5		1	Frame	
6	21379779	1	Network adapter	12V
7	21330289	1	Frame	For top mounting
8	(21143284)	1	• Frame	Obsolete part
9	21144292	1	• Cover	