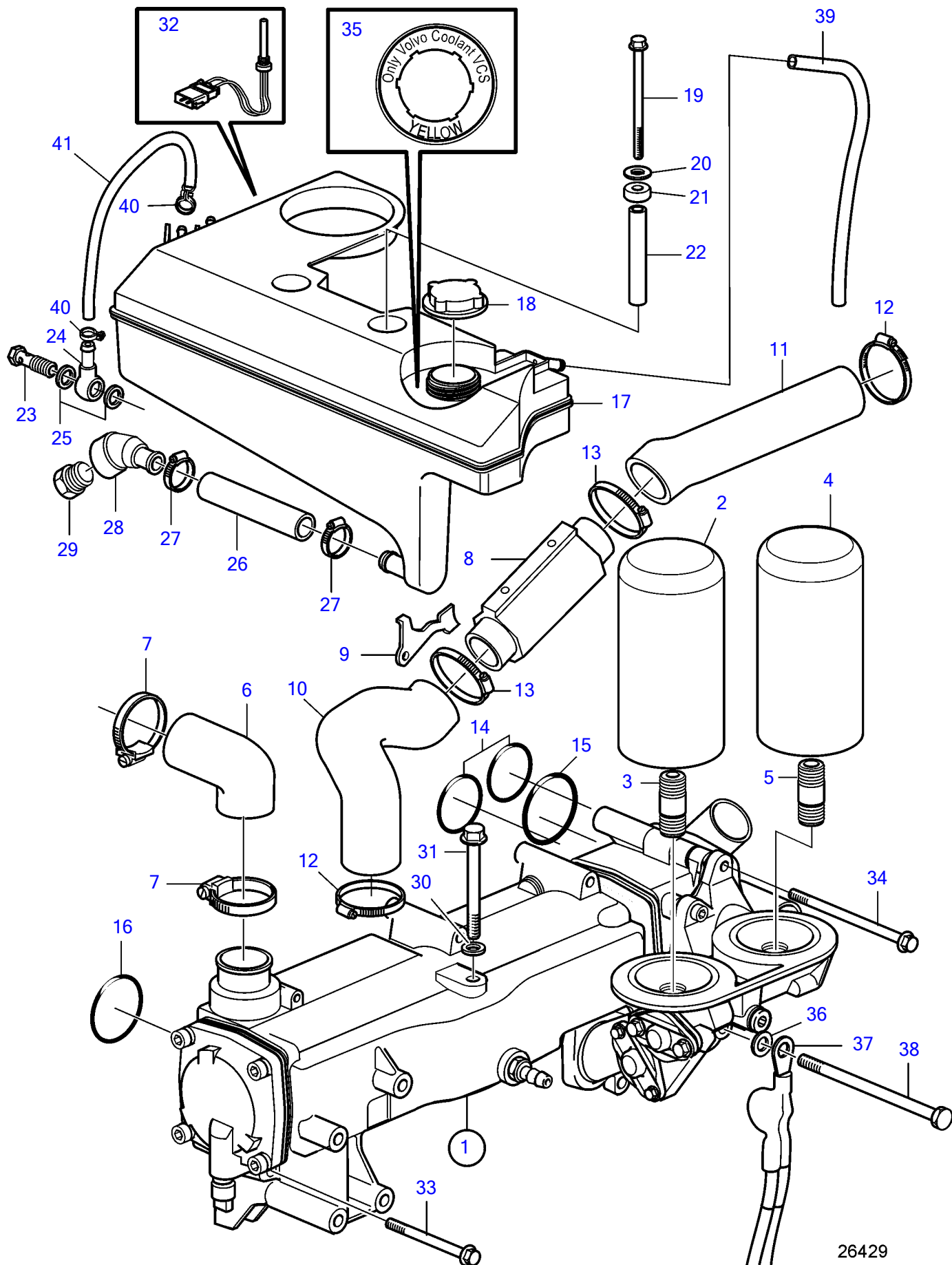


D6-280A-C, D6-280A-D, D6-280A-E, D6-280I-C, D6-280I-D, D6-280I-E, D6-310A-C, D6-310A-D, D6-310D-C, D6-310D-D, D6-310I-C, D6-310I-D, D6-330A-C, D6-330A-D, D6-330D-C, D6-330D-D, D6-330I-C, D6-330I-D, D6-370A-C, D6-370A-D, D6-370D-C, D6-370D-D, D6-370I-C, D6-370I-D, D6-310A-E, D6-310D-E, D6-310I-E, D6-330A-E, D6-330D-E, D6-330I-E, D6-370A-E, D6-370D-E, D6-370I-E



26429

D6-280A-C, D6-280A-D, D6-280A-E, D6-280I-C, D6-280I-D, D6-280I-E, D6-310A-C, D6-310A-D, D6-310D-C, D6-310D-D, D6-310I-C, D6-310I-D, D6-330A-C, D6-330A-D, D6-330D-C, D6-330D-D, D6-330I-C, D6-330I-D, D6-370A-C, D6-370A-D, D6-370D-C, D6-370D-D, D6-370I-C, D6-370I-D, D6-310A-E, D6-310D-E, D6-310I-E, D6-330A-E, D6-330D-E, D6-330I-E, D6-370A-E, D6-370D-E, D6-370I-E

REF	PART NO.	QTY	DESCRIPTION	SEE SEC.	NOTES
1	40005715	1	Heat exchanger comps not spec.		Kit 3818868 needed.
2	21632901	1	Oil filter		By pass
3	423067	1	Nipple		
4	3582732	1	Oil filter		Full flow.
5	3583695	1	Nipple		
6	3808093	1	Hose		(3582929)
7	961672	2	Hose clamp		
8	3583818	1	Fuel cooler		
9	3583819	1	Bracket		
10	3583009	1	Hose		
11	3583015	1	Hose		
12	943478	2	Hose clamp		
13	943479	2	Hose clamp		
14	949722	2	O-ring		
15	976041	1	O-ring		
16	969415	1	O-ring		
17	3887582	1	Expansion tank		(3584072)
18	1674083	1	Pressure cap		
19	965184	2	Flange screw		L=100mm
20	976944	2	Washer		
21	3285120	2	Spacer sleeve		
22	3583863	2	Spacer sleeve		
23	969299	1	Hollow screw		
24	858750	1	Banjo nipple		
25	11994	2	Gasket		
26	952969	1	Hose		
27	943472	2	Hose clamp		
28	3808586	1	T-nipple		(3584237)
29	479956	1	Plug		
30	3583833	1	Washer		
31	3583648	1	Screw		
32	3547710	1	Level guard		
33	965184	4	Flange screw		
34	968893	1	Flange screw		
35	21506995	1	Label		
36	955894	1	Washer		
37	21923306	1	Wiring harness kit	7034	
38	980103	1	Hexagon screw		
39	942754	1	Hose		
40	975270	2	Hose clamp		
41	942700	1	Hose		