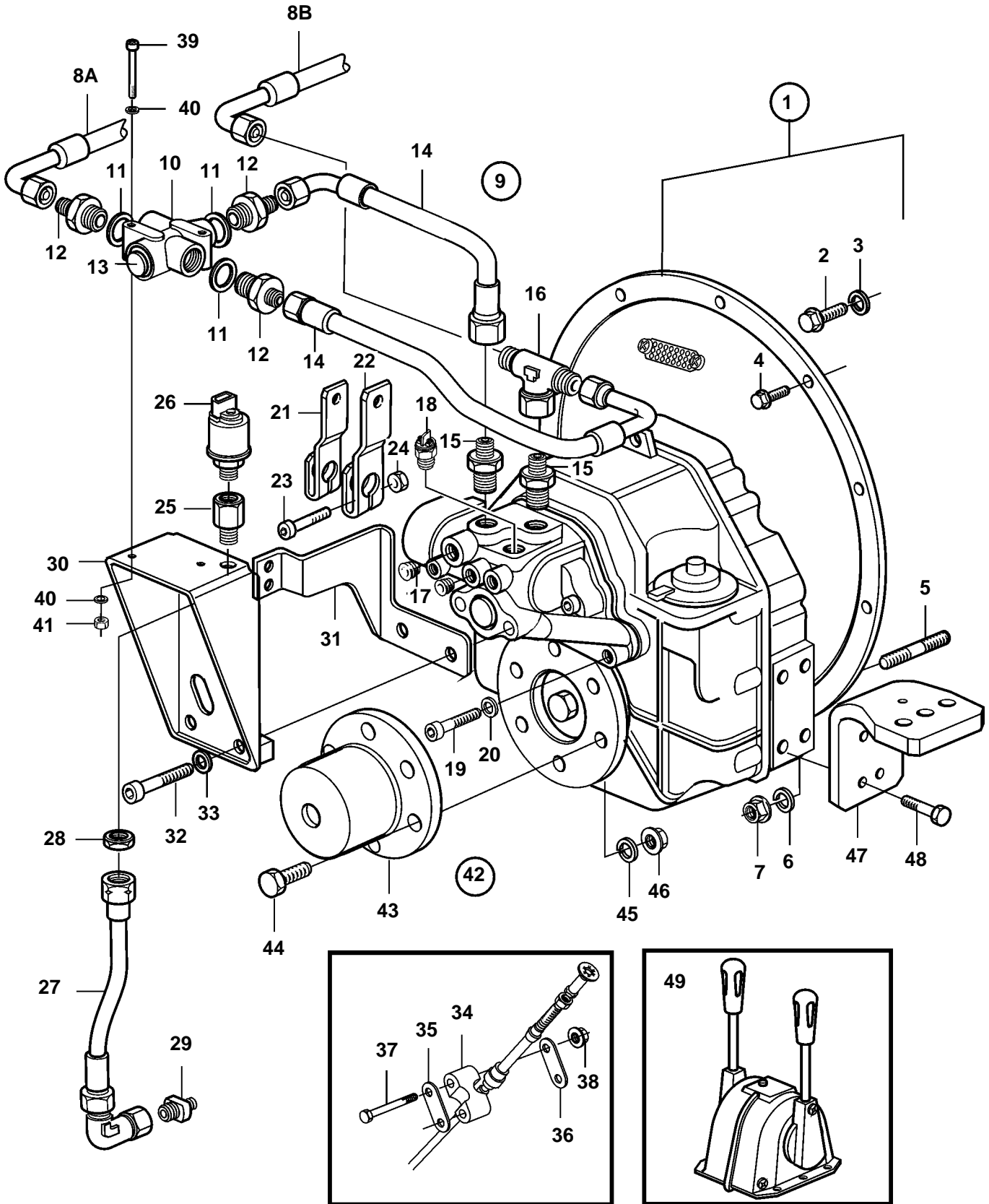


D5A-A T, D5A-A TA



## D5A-A T, D5A-A TA

REF	PART NO.	QTY	DESCRIPTION	SEE SEC.	NOTES
1		1	Reversing gear		RATIO 2.200:1
		1	Reversing gear		RATIO 2.512:1
		1	Reversing gear		RATIO 3.031:1
		1	Reversing gear		RATIO 3.741:1
			Comps. not spec.		
2	946329	8	Flange screw		L=25mm
3	942336	8	Spring washer		
4	970948	8	Screw		
5	953067	4	Stud		L=45mm
6		4	Spring washer		
7	971095	4	Nut		
8A	3836192	1	Hose		To oil cooler.
8B	3836192	1	Hose		From oil cooler.
9	3839542	1	Valve kit		
10	3583503	1	· Thermostat housing		Range of adjustment: 55°C - 70°C
11	3583498	3	· Gasket		
12	3583497	3	· Nipple		
13			· Bushing		
14	3583495	2	· Hose		
15	3583499	2	· Fitting		
16		1	· T-nipple		
17		1	· Plug		
18	873948	1	· Switch		
19	941761	8	· Screw		L=40mm
20	941907	8	· Spring washer		
21	3586320	1	· Engagement lever		
22	3582220	1	· Lever		
23	959220	1	· Screw		
24	955782	1	· Nut		
25			· Connection flange		
26	866839	1	· Pressure sensor		
27			· Attaching sleeve		
28			· Hose		
29			· Nipple		
30			· Bracket		
31			· Retainer		
32		2	· Screw		
33		2	· Washer		
34	872074	1	· Retainer		
35	819068	1	· Washer		
36	872076	1	· Washer		
37	969439	2	· Screw		L=40mm
38	963104	2	· Nut		
39	959215	2	· Allen head screw		
40	949607	2	· Spring washer		
41	963105	2	· Nut		
42	3838470	1	Flange		
43		1	· Flange		
44	959667	6	· Screw		
45	940280	6	· Spring washer		
46	963119	6	· Nut		
47		2	Engine suspension	6537	
48		8	Flange screw	6537	
49	853200	1	Control	6538	