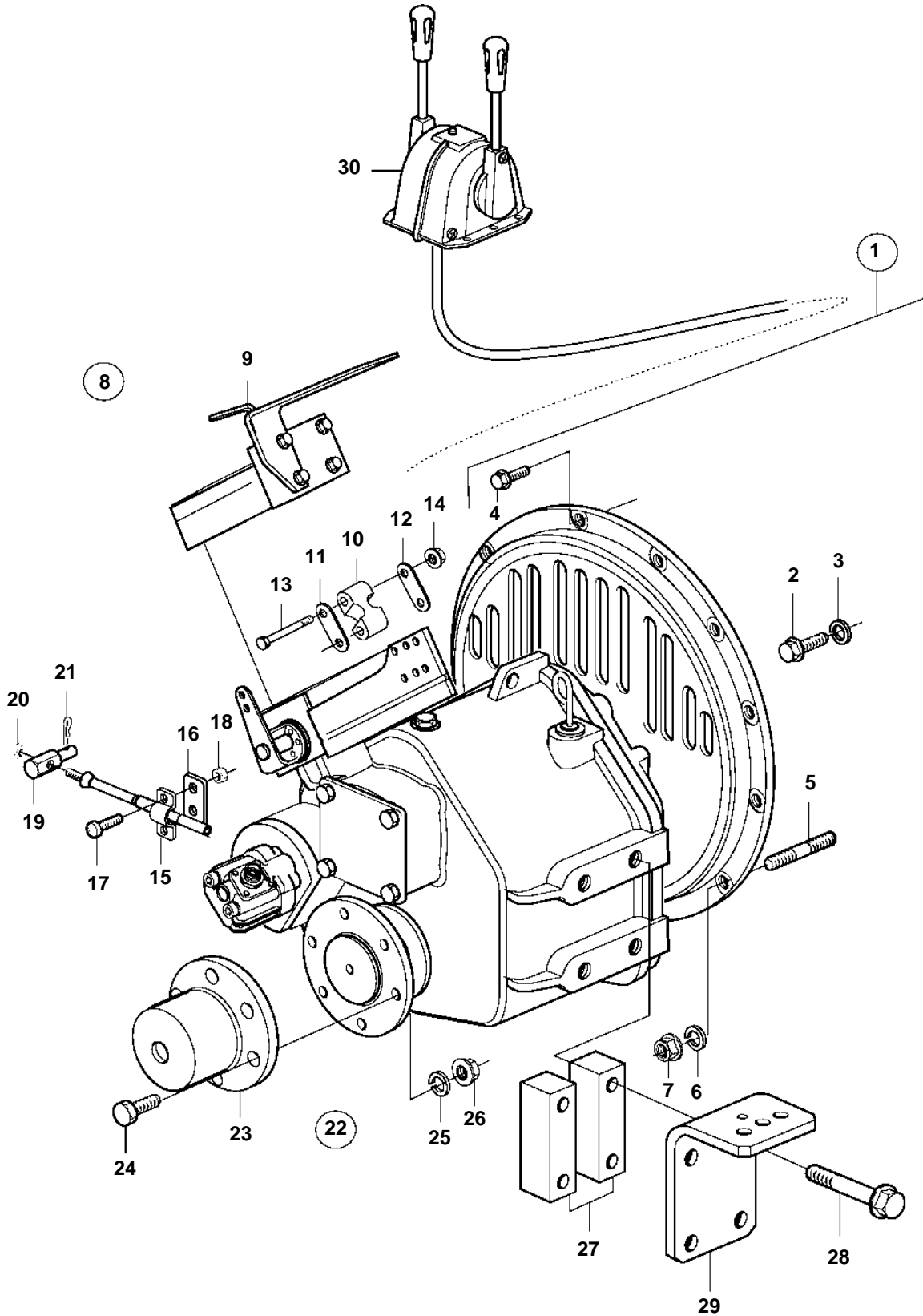


D7A-A T, D7A-A TA, D7C-A TA



D7A-A T, D7A-A TA, D7C-A TA

REF	PART NO.	QTY	DESCRIPTION	SEE SEC.	NOTES
1		1	Reversing gear		RATIO 2.000:1
		1	Reversing gear		RATIO 2.478:1
		1	Reversing gear		RATIO 3.000:1
			Comps. not spec.		
2	946329	8	Flange screw		L=25mm
3	942336	8	Spring washer		
4	970948	8	Screw		
5	953067	4	Stud		
6		4	Spring washer		
7	971095	4	Nut		
8		1	Slip valve		
9	3838425	1	· Slip valve		
10	872074	1	· Retainer		
11	819068	1	· Washer		
12	872076	1	· Washer		
13	969439	2	· Screw		L=40mm
14	963104	2	· Nut		
15	819067	1	Brace		
	6853782	1	Clamp		
16		1	Washer		
17	956079	2	Screw		
18	963104	2	Nut		
19	853217	1	Cube		
20		1	Nut		
21	907824		Cotter pin		
22		1	Clutch flange		
23	842106	1	· Clutch flange		
24	955739	6	· Screw		
25	941912	6	· Spring washer		
26	963119	6	· Nut		
27		2	Spacer	6545	
28		1	Engine suspension	6545	D7 RIGHT
29		4	Flange screw	6545	
30	853200	1	Control	6538	