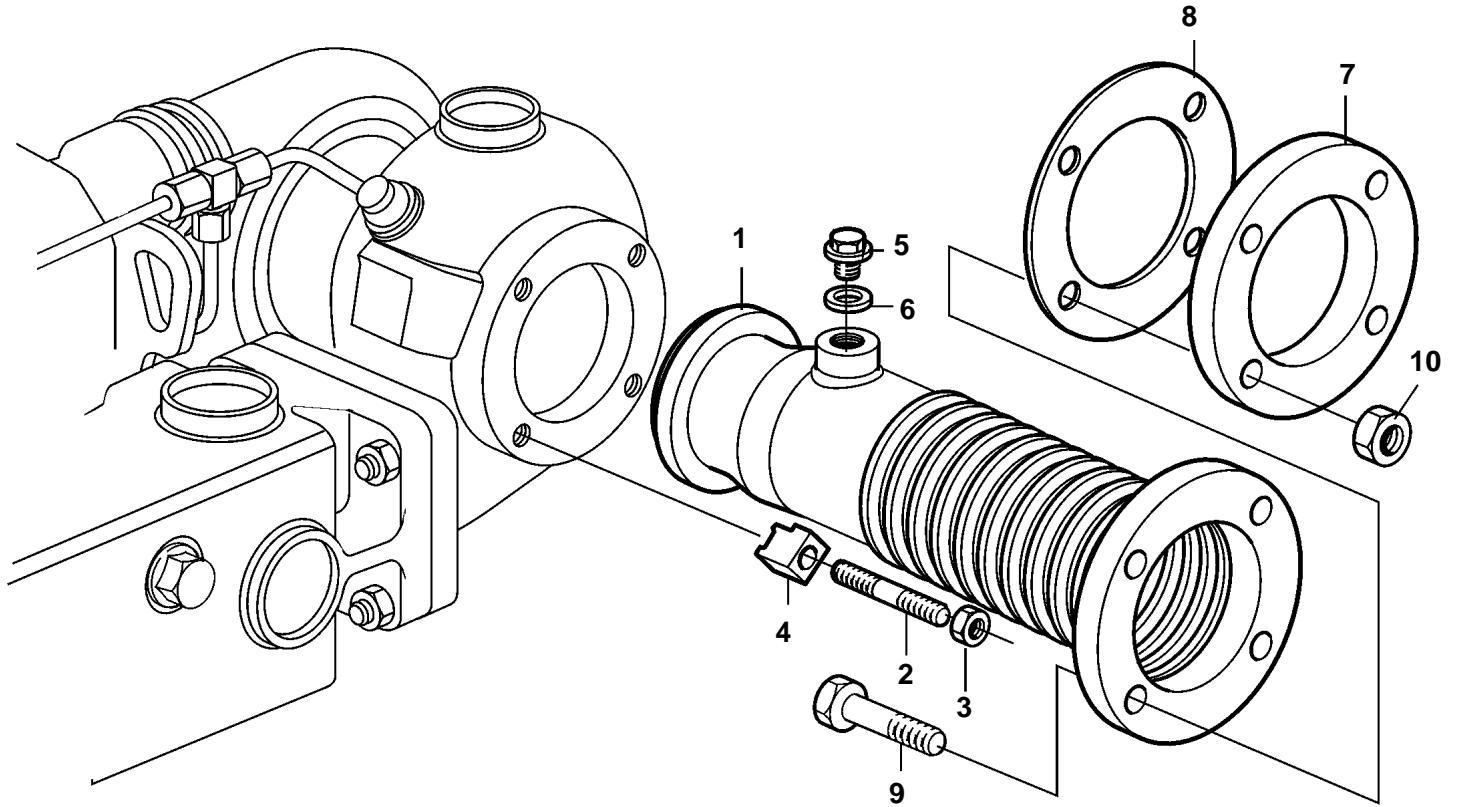


D7A-A T, D7A-A TA



19807

D7A-A T, D7A-A TA

REF	PART NO.	QTY	DESCRIPTION
1	3586664	1	Exhaust manifold
2	888785	4	Stud
3	20412308	4	Nut
4	969011	1	Gasket
5	3838309	1	Plug
6	3838278	4	Tensioning lug
7	3838279	1	Flange
8	3838280	1	Gasket
9	20460864	4	Screw
10	979230	4	Flange nut