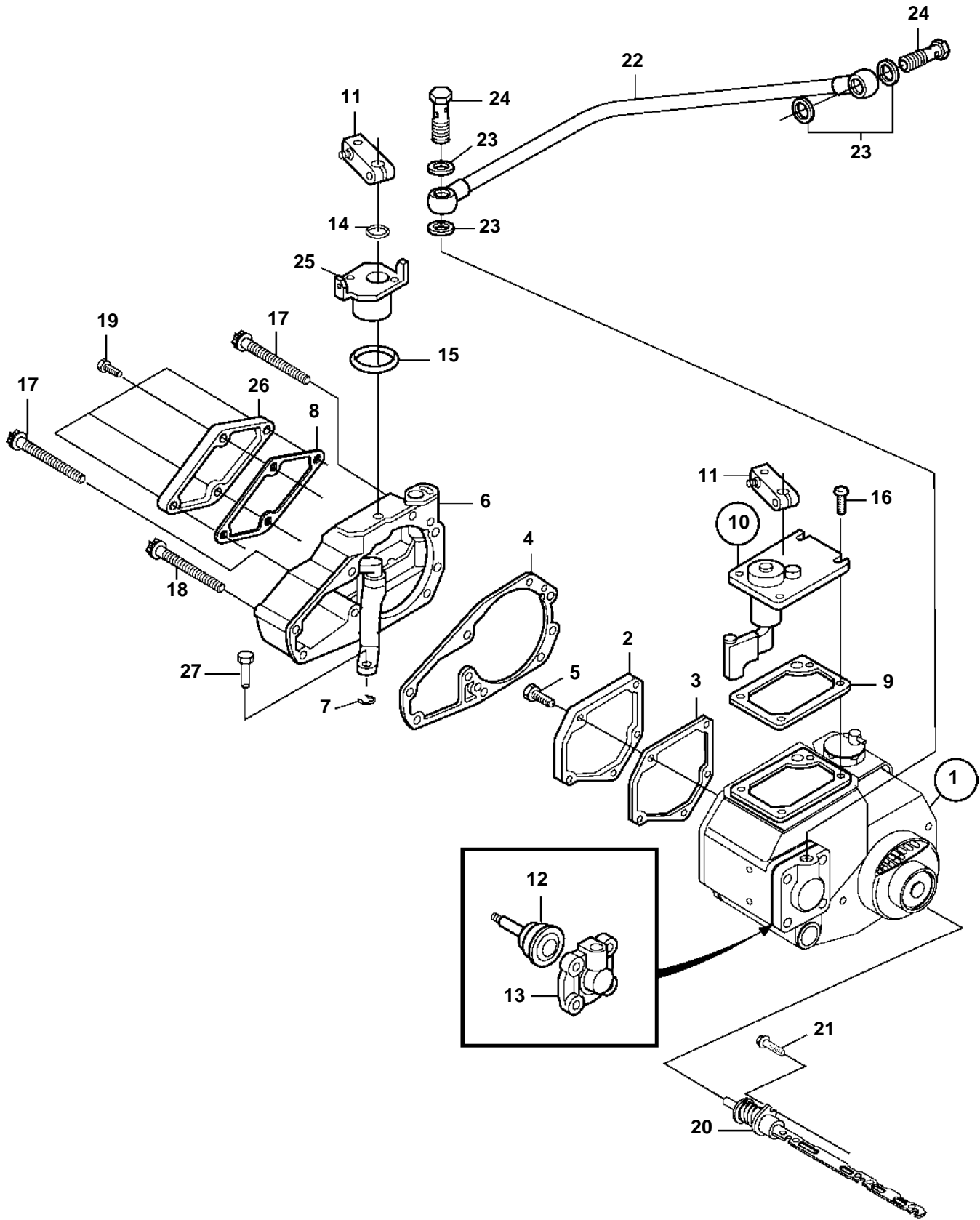


D7A-A T, D7A-A TA, D7C-A TA



D7A-A T, D7A-A TA, D7C-A TA

REF	PART NO.	QTY	DESCRIPTION		NOTES
1	20518787	1	Regulator	SO	When ordering a governor as a spare part always state engine types, serialnumber, rated power and rated speed (rpm).
2		1	· Cover		
3	20405508	1	· Gasket		
4	20405510	1	· Gasket		
5	20504811	1	· Screw		
6		1	· Housing		
7		1	· Washer		
8	20405509	1	· Gasket		
9	20405507	1	· Gasket		
10	20412752	1	· Cover		
11		2	· · Lever		
12		1	· Piston		
13		1	· Cover		
14		1	· Ring		
15		1	· Ring		
16	20460067	1	Lock screw		Only use locking screw in case of repair. Locking screw can only be used once.
17	20460064	4	Screw		
18	20460065	1	Screw		
19	20460082	4	Lock screw, locking screw		
20	20405868	1	Control rod		
21	946173	1	Flange screw		(20405538). Prepared with locking fluid.
22	888781	1	Charge air pipe		
23	947281	4	Gasket		
24	980973	2	Hollow screw		
25		1	Stop lug		
26		1	Cover		
27		1	Pin		