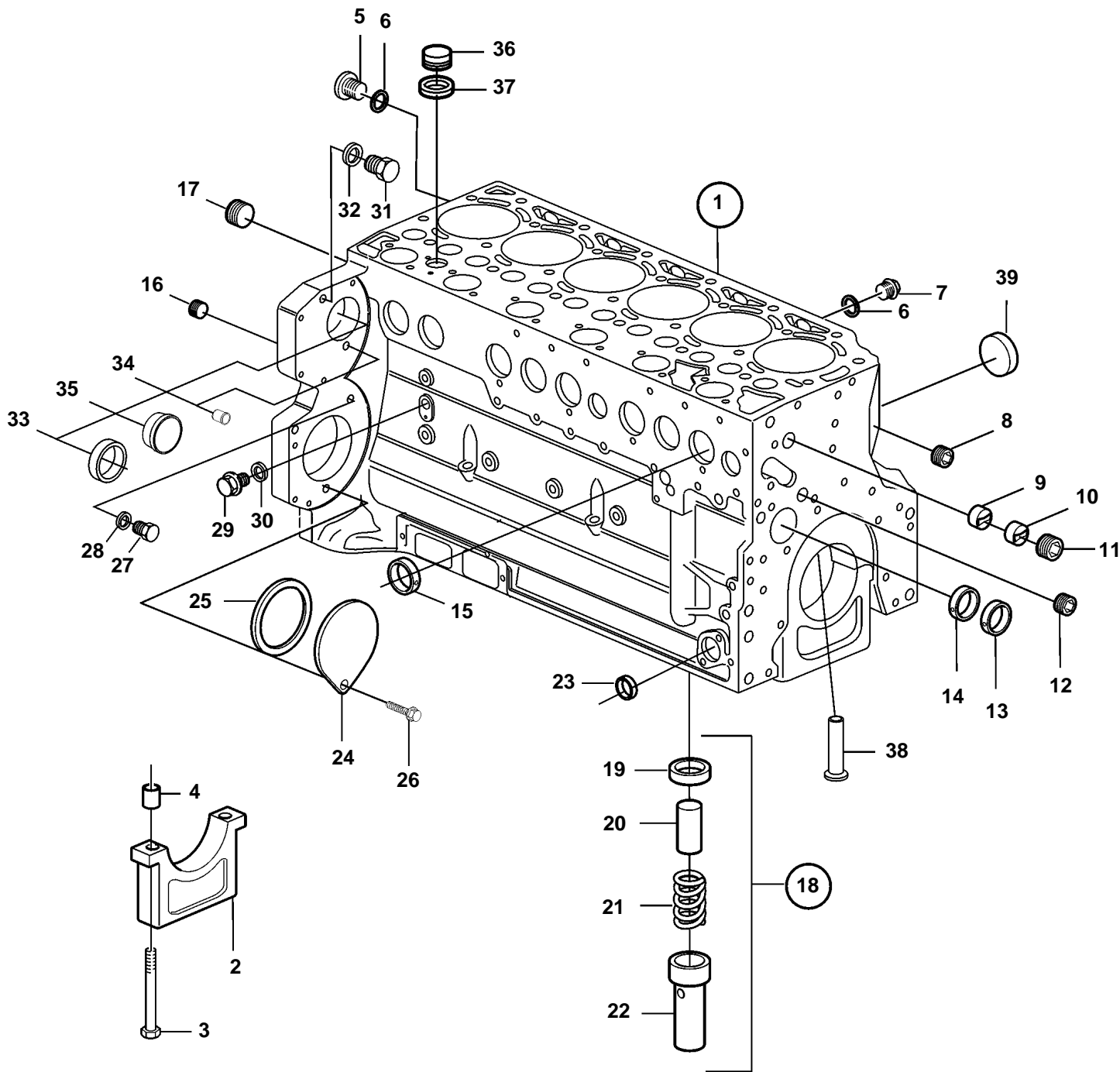


D7A-A T, D7A-A TA, D7C-A TA



19542

D7A-A T, D7A-A TA, D7C-A TA

REF	PART NO.	QTY	DESCRIPTION	NOTES
1	20537914	1	Cylinder block	
2		7	· Main bearing cap	
3	20405583	14	· Screw	
4	11700278	14	· Bushing	
5	945065	2	· Plug	
6	969011	4	· Gasket	
7	20405716	1	· Plug	
8	20508600	1	· Plug	
9	20405906	1	· Guide sleeve	
10	20405584	1	· Guide sleeve	
11	20508585	1	· Plug	
12	20508590	10	· Plug	
13	11700284	6	· Bearing bushing	
14	11700285	1	· Bearing bushing	
15	20405721	10	· Plug	
16	20405718	1	· Plug	
17	20405722	1	· Plug	
18	11700271	1	Delivery valve	
19	20405904	1	· Ring	
20	20405936	1	· Valve piston	
21	20405896	1	· Compression spring	
22	20405937	1	· Sleeve	
23	20412745	1	Plug	
24	20459898	1	Cover	
25	20412359	1	O-ring	
26	975108	1	Flange screw	
27	20532680	1	Plug, screw plug	
28	947281	1	Gasket	
29	20405716	1	Plug	
30	20459981	1	Sealing ring	
31	20532680	2	Plug, screw plug	
32	947281	2	Gasket	
33	20450778	1	Plug	
34	20464561	1	Plug	
35	20464563	1	Plug	
36	20450779	1	Plug	
37	20405728	1	O-ring	Without stop solenoid.
38	20460210	6	Oil jet, piston cooling	
39	20405986	1	Core plug	