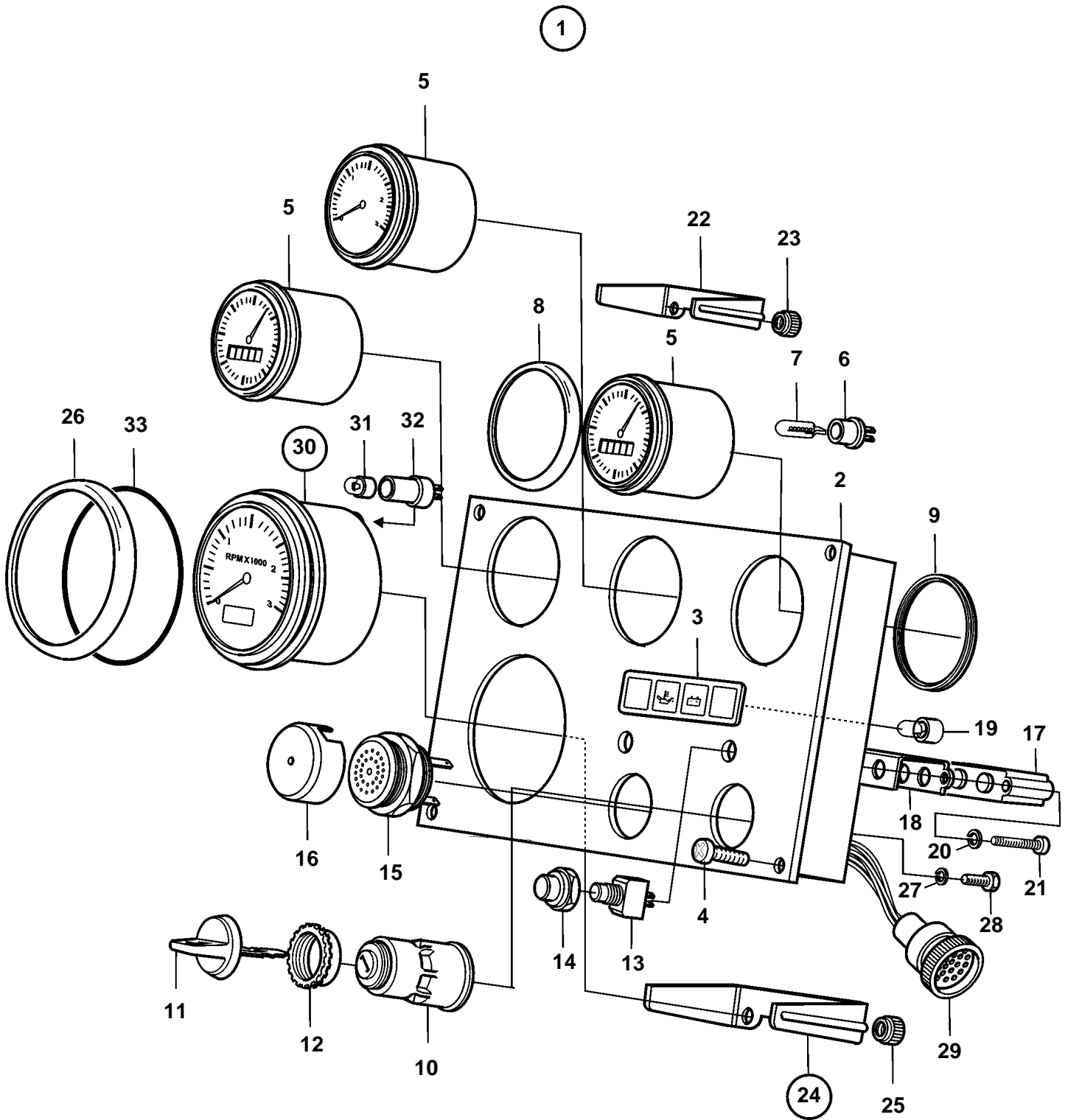


D5A-A T, D5A-A TA, D7A-A T, D7A-A TA, D7C-A TA



19849

D5A-A T, D5A-A TA, D7A-A T, D7A-A TA, D7C-A TA

REF	PART NO.	QTY	DESCRIPTION	SEE SEC.	NOTES
1	873591	1	Instrument panel		
2	860182	1	· Instrument panel		
3	858645	1	· Symbol strip		
4	828647	4	· Screw		
5	873196	1	· Temperature gauge		
	873198	1	· Oil pressure gauge		
	873200	1	· Voltmeter		
6	863945	3	· · Bulb socket		
7	863947	3	· · Bulb		
8	858643	3	· Front ring		D=52mm
9	828803	3	· Ring		
10	864277	1	· Starter switch		
11	859953	2	· · Key		State key code when ordering.
			· · Bulletin 49-30	49-30-EN	Key P/N 859953
12	859955	1	· · Plastic nut		
13	828584	1	· Switch		TEST ALARM
	828585	1	· Switch		INSTR. LIGHT
14	828586	2	· Nut		
15	828587	1	· Buzzer		
16	858795	1	· Protecting casing		
17	873737	1	· Electronic unit		(873209)
18	828784	1	· Reflector		
19	828818	4	· Bulb		24V
20	941904	2	· Spring washer		
21	941615	2	· Screw		
22	873207	3	· Retainer		
23		6	· · Nut		
24	873208	1	· Retainer		
25		2	· · Nut		
26	873517	1	· Front ring		D=72mm
27	941904	1	· Spring washer		
28	949947	1	· Screw		
29	828646	1	· Cable trunk		
30	873998	1	Rev counter kit		3400 RPM (873586) (876750)
31	863947	1	· Bulb		24V
32	863945	1	· Bulb socket		