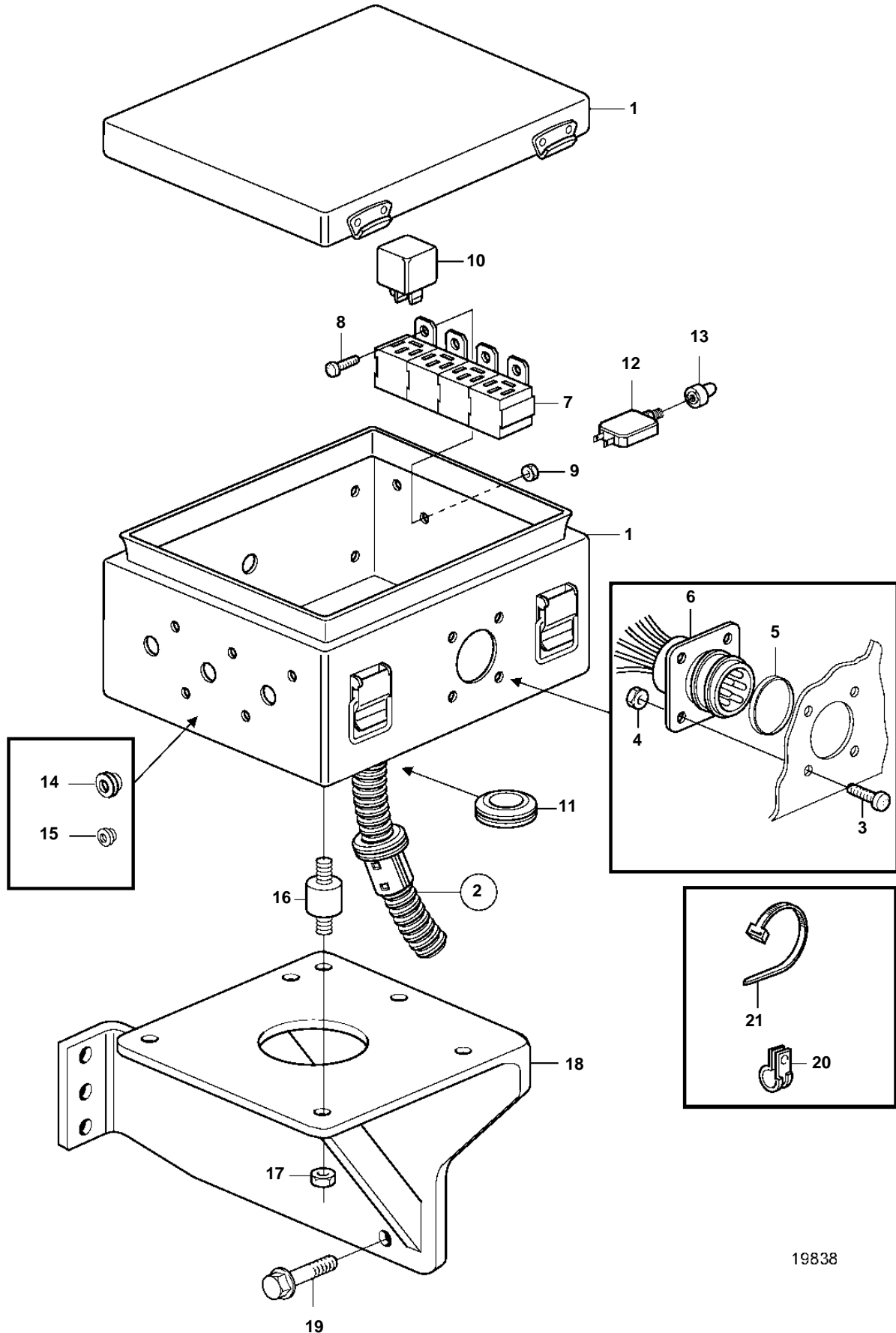


D7A-A T, D7A-A TA, D7C-A TA



D7A-A T, D7A-A TA, D7C-A TA

REF	PART NO.	QTY	DESCRIPTION		NOTES
1	873953	1	Box	SO	
2	874650	1	Wiring harness		
3	956046	4	· Screw		
4	955778	4	· Nut		
5	846615	1	· Sealing ring		
6	846611	1	· Sleeve connector, instrument panel		
7	977184	1	· Tab housing		
8	956076	2	· Screw		
9	963104	2	· Nut		
10	841177	2	Relay		
11	943920	1	Protecting plug		
12	966689	1	Fuse		8A
13	862006	1	Protective cap		
14	974683	3	Plug		
15	974680	6	Plug		
16	1228599	4	Rubber cushion		
17	945407	4	Flange nut		
18	3836012	1	Bracket		
19	20405792	3	Screw		
20	983472	X	Tie straps		
	948211	X	Strip clamp		
21	942400	X	Clamp		D=7,9mm
	949746	X	Clamp		D=12,7mm
	949747	X	Clamp		D=15,9mm
	945081	X	Clamp		D=22,2mm
	947827	X	Clamp		D=25,4mm