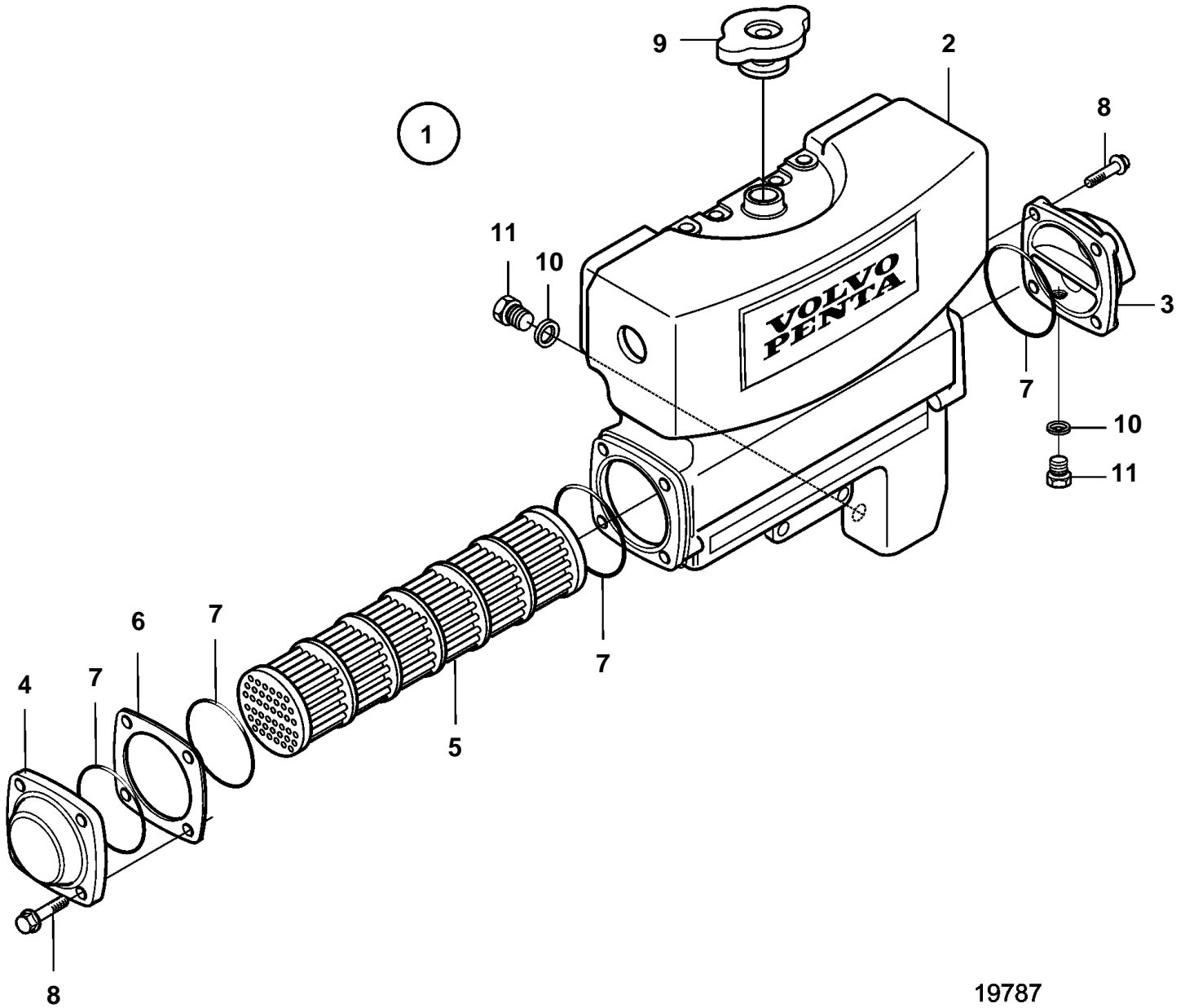


D5A-A T, D5A-A TA, D7A-A T, D7A-A TA, D7C-A TA



D5A-A T, D5A-A TA, D7A-A T, D7A-A TA, D7C-A TA

REF	PART NO.	QTY	DESCRIPTION	NOTES
1	3838284	1	Heat exchanger	
2			Housingheat exchanger	
3	3838334	1	· End cover	
4	3838333	1	· End cover	
5	3838332	1	· Insert	
6	3838335	1	· Spacer	
7	3838336	4	· O-ring	
8	3838337	8	· Screw	
9	3838338	1	· Pressure cap	(1 bar)
10	3838339	2	· Washer	
11	3838340	2	· Plug	