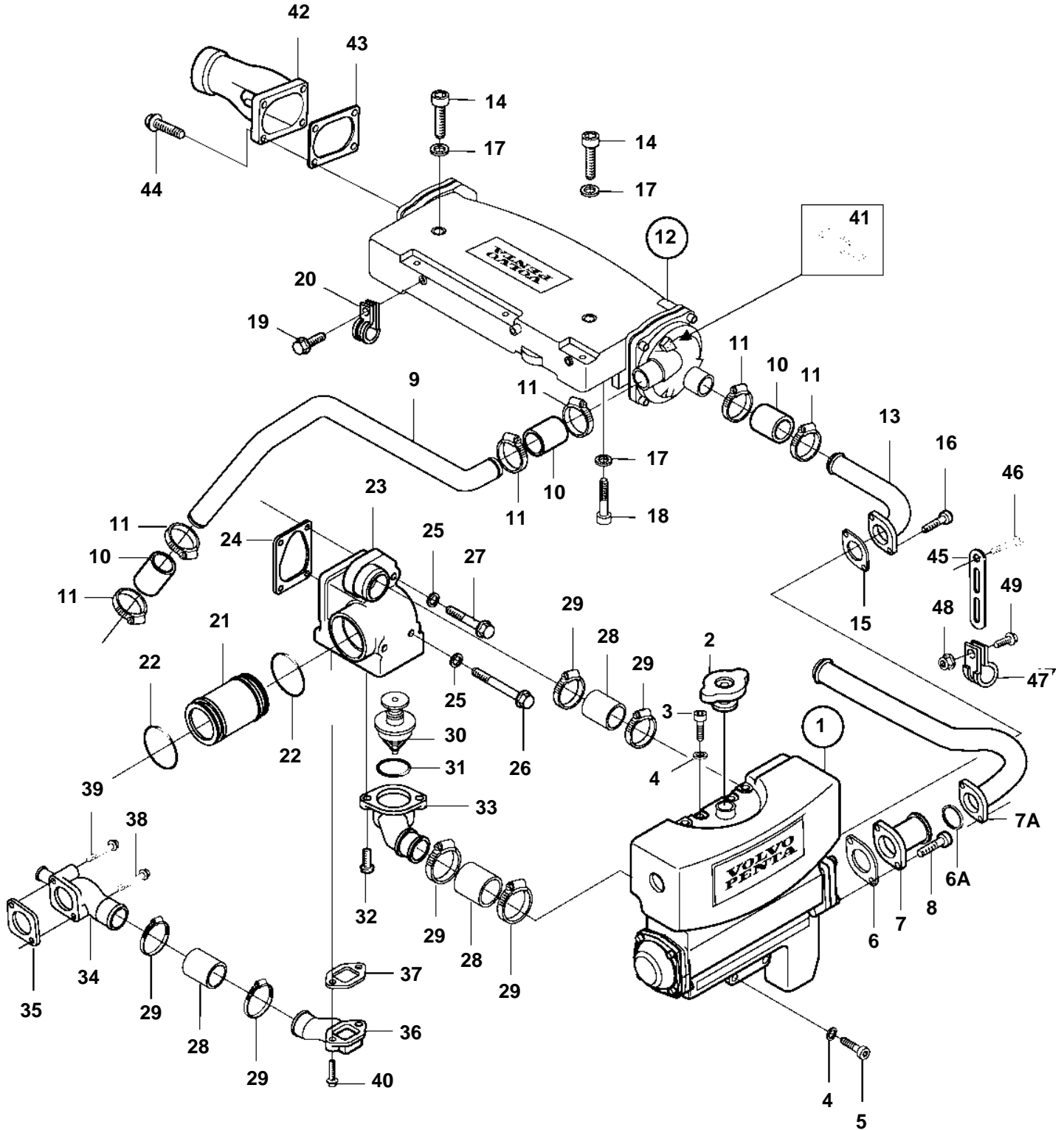


D5A-A TA



19797

## D5A-A TA

REF	PART NO.	QTY	DESCRIPTION	SEE SEC.	NOTES
1	3838284	1	Heat exchanger		
				6423	
2	3838338	1	Pressure cap		(1 bar)
3	3838310	2	Screw		L=150mm
4	20549890	4	Washer		
5	3838311	2	Screw		L=85mm
6	3838312	1	Gasket		
6A	864491	1	Gasket		Later production.
7	3838285	1	Connection flange		Heat exchanger-oil cooler, reverse gear.. Earlier production.. Sea water outlet for hose connection Ø42mm.
7A	3836201	1	Water pipe		L=520mm. Heat exchanger-oil cooler, reverse gear.. Sea water outlet for hose connection Ø42mm.. Later production.
8	959239	2	Screw		
9	888896	1	Seawater pipe		Sea water pump-charge air cooler.
10	3838574	3	Hose		L=65mm
11	961671	6	Hose clamp		
12	3838414	1	Intercooler		
				6424	
13	3838293	1	Coolant pipe		
14	3587511	2	Screw		
15	3838312	1	Gasket		
16	959239	2	Screw		L=30mm
17	20405802	4	Washer		
18	959223	2	Screw		L=30mm
19	20405792	1	Screw		L=16mm
20	888852	1	Clamp		
21	888827	1	Water pipe		
22	20412325	2	Sealing ring		
23	888844	1	Thermostat housing		
24	888845	1	Gasket		
25	976945	2	Washer		
26	967825	2	Screw		L=165mm
27	888847	2	Screw		L=115mm
28	3838575	3	Hose		
29	943480	6	Clamp		
30	20450736	1	Thermostat		83°C
31	20459961	1	Sealing ring		
32	20450713	2	Screw		
33	888849	1	Discharge pipe		
34	888817	1	Discharge pipe		
35	20412341	1	Gasket		
36	888818	1	Water inlet pipe		
37	888820	1	Gasket		
38	20460124	1	Screw		L=95mm
39	20405917	1	Screw		L=80mm
40	20405709	2	Screw		L=55mm
41	966871	1	Tap		
42	888876	1	Charge air pipe		
43	888775	1	Gasket		
44	20441520	4	Screw		L=25mm
45	965544	1	Bracket		
46	970891	1	Screw		L=130mm
47	969194	1	Clamp		
48	945408	1	Flange nut		
49	946173	1	Flange screw		