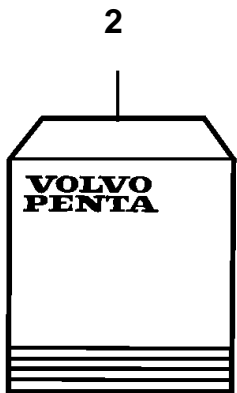
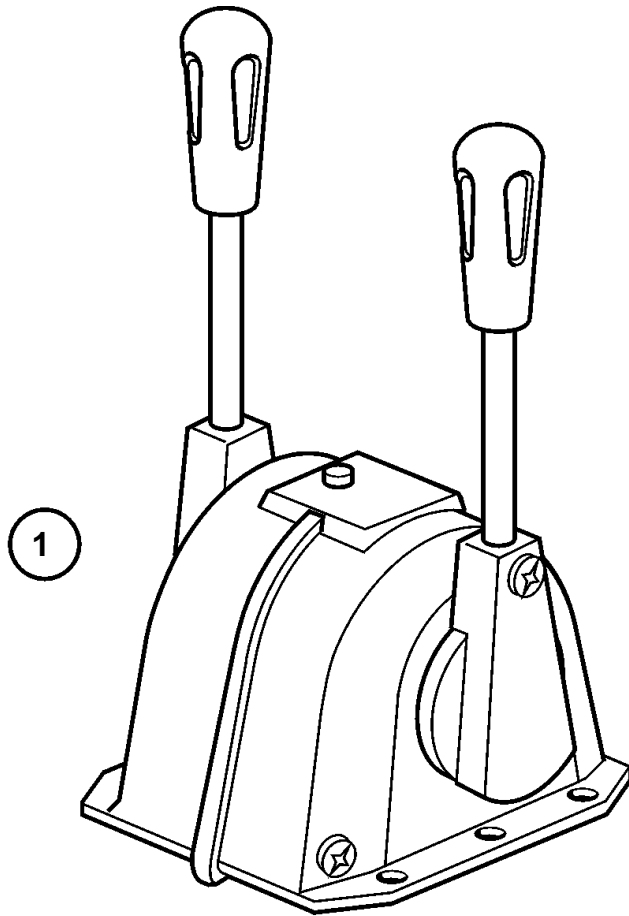


D5A-A T, D5A-A TA, D7A-A T, D7A-A TA, D7C-A TA



19854

D5A-A T, D5A-A TA, D7A-A T, D7A-A TA, D7C-A TA

REF	PART NO.	QTY	DESCRIPTION	NOTES
1	853200	1	Control	
2	853199	1	Mounting kit	For control cable 333, 33c.
	853204	1	Mounting kit	For control cable 443, 43c.