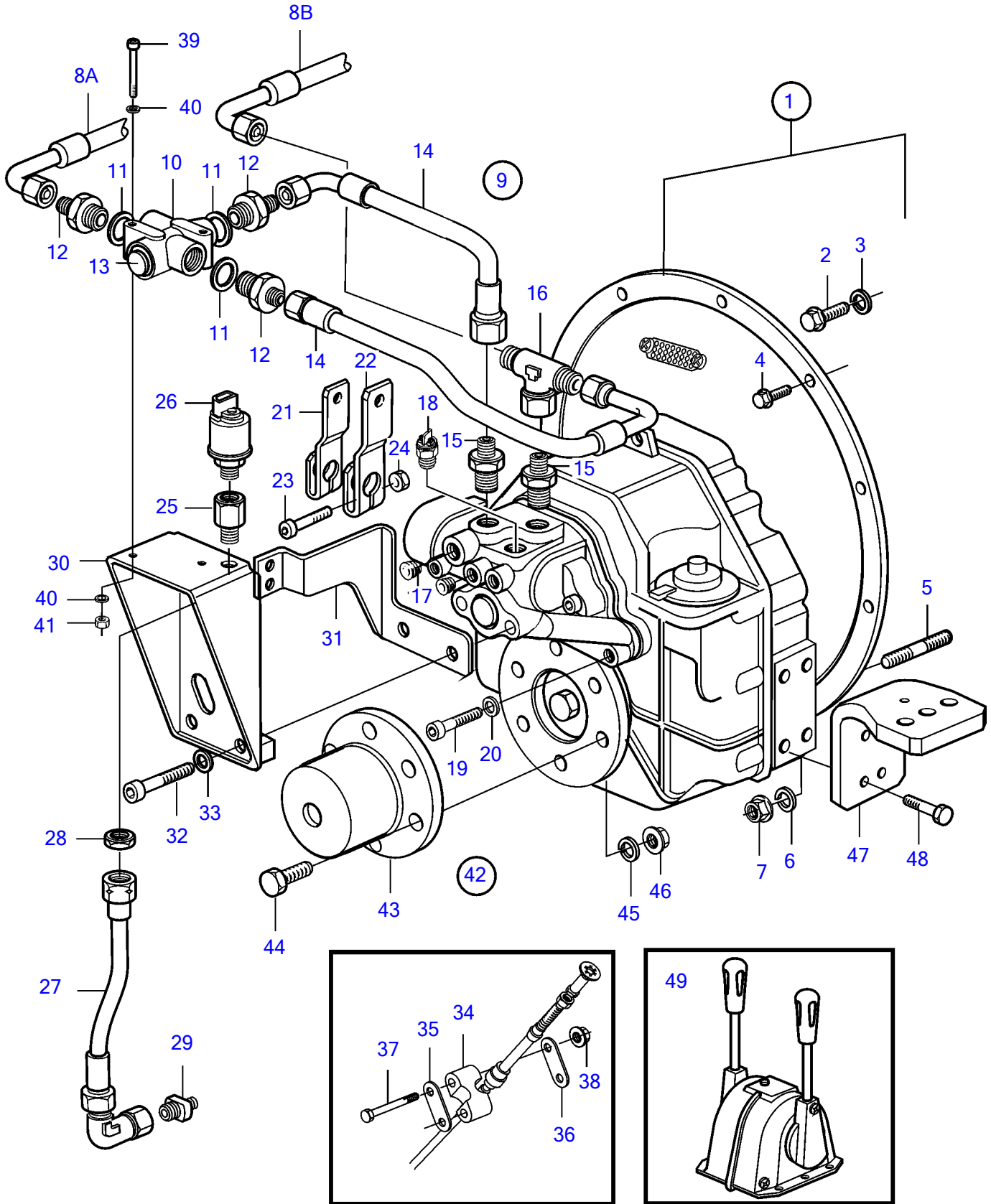


D5A-A T, D5A-A TA, D5A-B TA



## D5A-A T, D5A-A TA, D5A-B TA

REF	PART NO.	QTY	DESCRIPTION	SEE SEC.	NOTES
1		1	Reversing gear		Ratio 2.200:1
		1	Reversing gear		Ratio 2.512:1
		1	Reversing gear		Ratio 3.031:1
		1	Reversing gear		Ratio 3.741:1
			• parts not sold separately		
2	946329	8	Flange screw		L=25mm
3	942336	8	Spring washer		
4	970948	8	Hexagon screw		
5	953067	4	Stud		L=45mm
6		4	Spring washer		
7	971095	4	Flange nut		
8A	3836192	1	Hose		To oil cooler.
8B	3836192	1	Hose		From oil cooler.
9	(3839542)	1	Slip valve		Obsolete part
10	3583503	1	• Thermostat housing		Range of adjustment: 55°C - 70°C
11	3583498	3	• Gasket		
12	3583497	3	• Nipple		
13			• Bushing		
14	3583495	2	• Hose		
15	3583499	2	• Fitting		
16		1	• T-nipple		
17		1	• Plug		
18	873948	1	• Switch kit		
19	941761	8	• Hex. socket screw		L=40mm
20	941907	8	• Spring washer		
21	3586320	1	• Engagement lever		
22	3582220	1	• Engagement lever		
23	959220	1	• Hex. socket screw		
24	955782	1	• Hexagon nut		
25			• Connection flange		
26	866839	1	• Sensor		
27			• Attaching sleeve		
28			• Hose		
29	(3587202)		• Nipple		Obsolete part
30			• Bracket		
31			• Retainer		
32		2	• Screw		
33		2	• Washer		
34	872074	1	• Retainer		
35	819068	1	• Washer		
36	872076	1	• Washer		
37	969439	2	• 6 point socket screw		L=40mm
38	963104	2	• Lock nut		
39	959215	2	• Hex. socket screw		
40	949607	2	• Spring washer		
41	963105	2	• Lock nut		
42	3838470	1	Clutch flange		
43		1	• Flange		
44	(959667)	6	• Hexagon screw		Obsolete part
45	940280	6	• Spring washer		
46	963119	6	• Lock nut		
47		2	Engine suspension	6537	
48		8	Flange screw	6537	
49	853200	1	Control	6538	