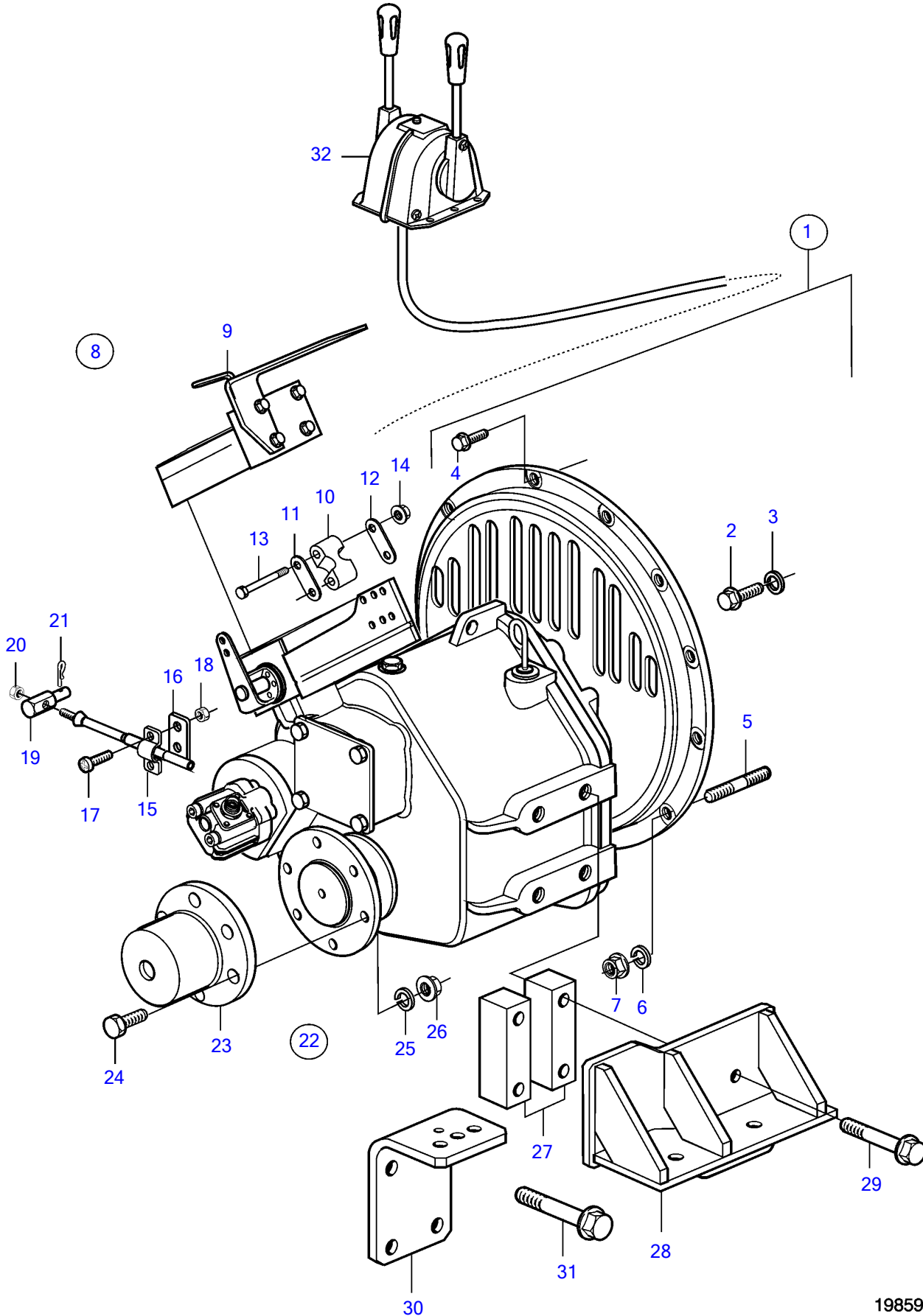


D5A-A T, D5A-A TA, D7A-A T, D7A-A TA, D5A-B TA, D7A-B TA, D7C-B TA, D7C-A TA



D5A-A T, D5A-A TA, D7A-A T, D7A-A TA, D5A-B TA, D7A-B TA, D7C-B TA, D7C-A TA

REF	PART NO.	QTY	DESCRIPTION	SEE SEC.	NOTES
1		1	Reversing gear		Ratio 1.963:1
		1	Reversing gear		Ratio 2.478:1
		1	Reversing gear		Ratio 3.000:1
			• parts not sold separately		
2	946329	8	Flange screw		L=25mm
3	942336	8	Spring washer		
4	970948	8	Hexagon screw		
5	953067	4	Stud		
6		4	Spring washer		
7	971095	4	Flange nut		
8		1	Valve kit		
9	3838425	1	• Slip valve		
10	872074	1	• Retainer		
11	819068	1	• Washer		
12	872076	1	• Washer		
13	969439	2	• 6 point socket screw		L=40mm
14	963104	2	• Lock nut		
15	21471054	1	Bracket		
	6853782	1	Cable clamp		
16		1	Washer		
17	956079	2	Cross recessed screw		
18	963104	2	Lock nut		
19	853217	1	Cube		
20		1	Nut		
21	907824		Split pin		
22		1	Clutch flange		
23	842106	1	• Companion flange		
24	955739	6	• Hexagon screw		
25	941912	6	• Spring washer		
26	963119	6	• Lock nut		
27		2	Spacer	6544	
28		1	Engine suspension	6544	D5 right
29		4	Flange screw	6544	
30		1	Engine suspension	6545	D7 right
31		4	Flange screw	6545	
32	853200	1	Control	6538	