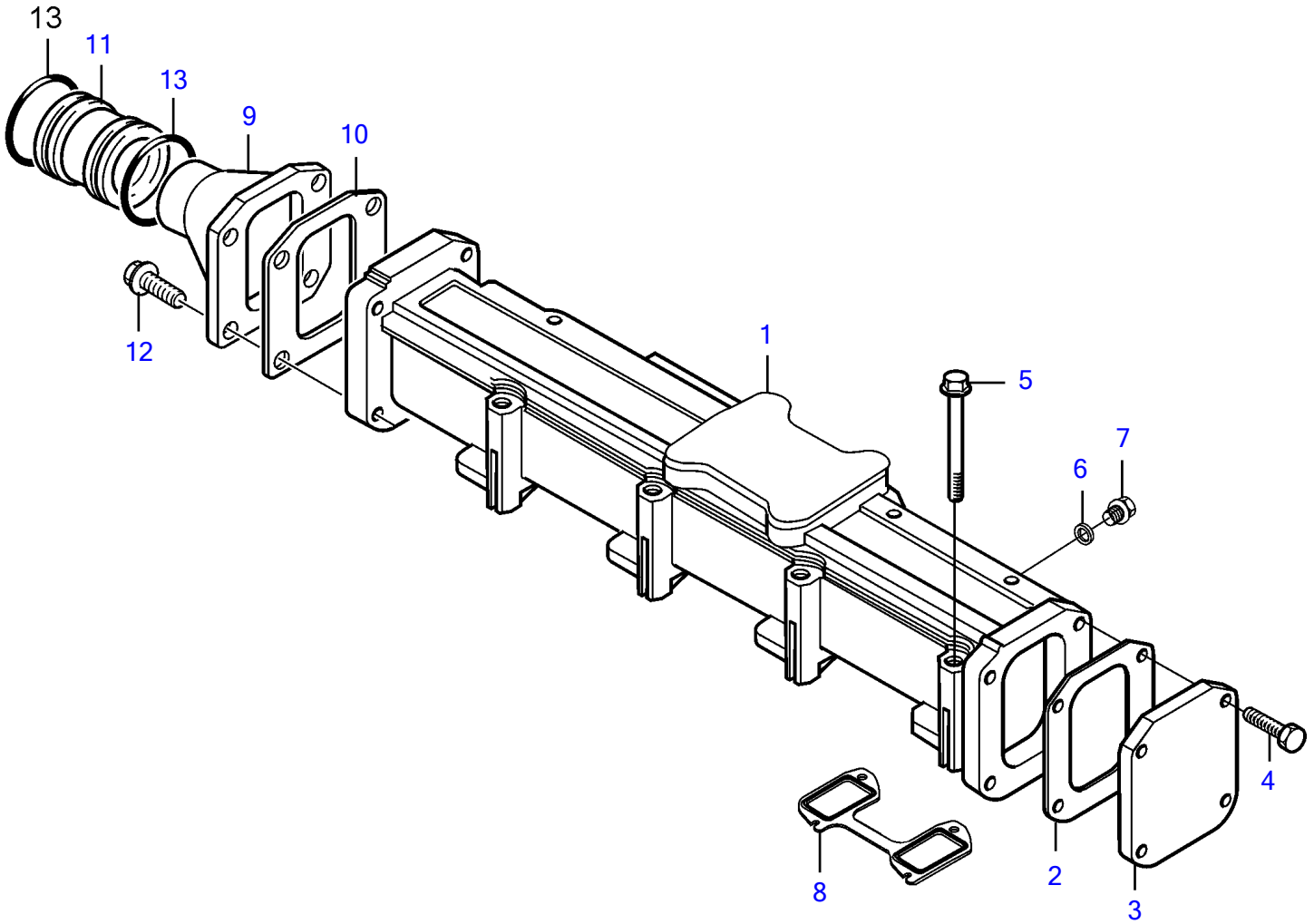


D5A-A T



19782

D5A-A T

REF	PART NO.	QTY	DESCRIPTION	NOTES
1	20405939	1	Inlet pipe	Part has a unique replacement. The new part may be used in any case. The old part may only used for engines that were org. eq. with this part., SN-913971
	20586810	1	Inlet pipe	Part has a unique replacement. The new part may be used in any case. The old part may only used for engines that were org. eq. with this part., SN913972 - 967837
	20735843	1	Inlet pipe	Part has a unique replacement. The new part may be used in any case. The old part may only used for engines that were org. eq. with this part., SN967838-
2	20451009	1	Intake gasket	
3	20405614	1	Cover	(20451007)
4	965215	4	Flange screw	
5	20412601	8	Flange screw	
6	969011	1	Gasket	
7	960630	1	Plug	
8	20591706	2	Gasket	
9	888879	1	Studs	
10	20405613	1	Gasket	
11	20405944	1	Adapter	
12	20405792	4	Screw	
13	20405535	2	O-ring	