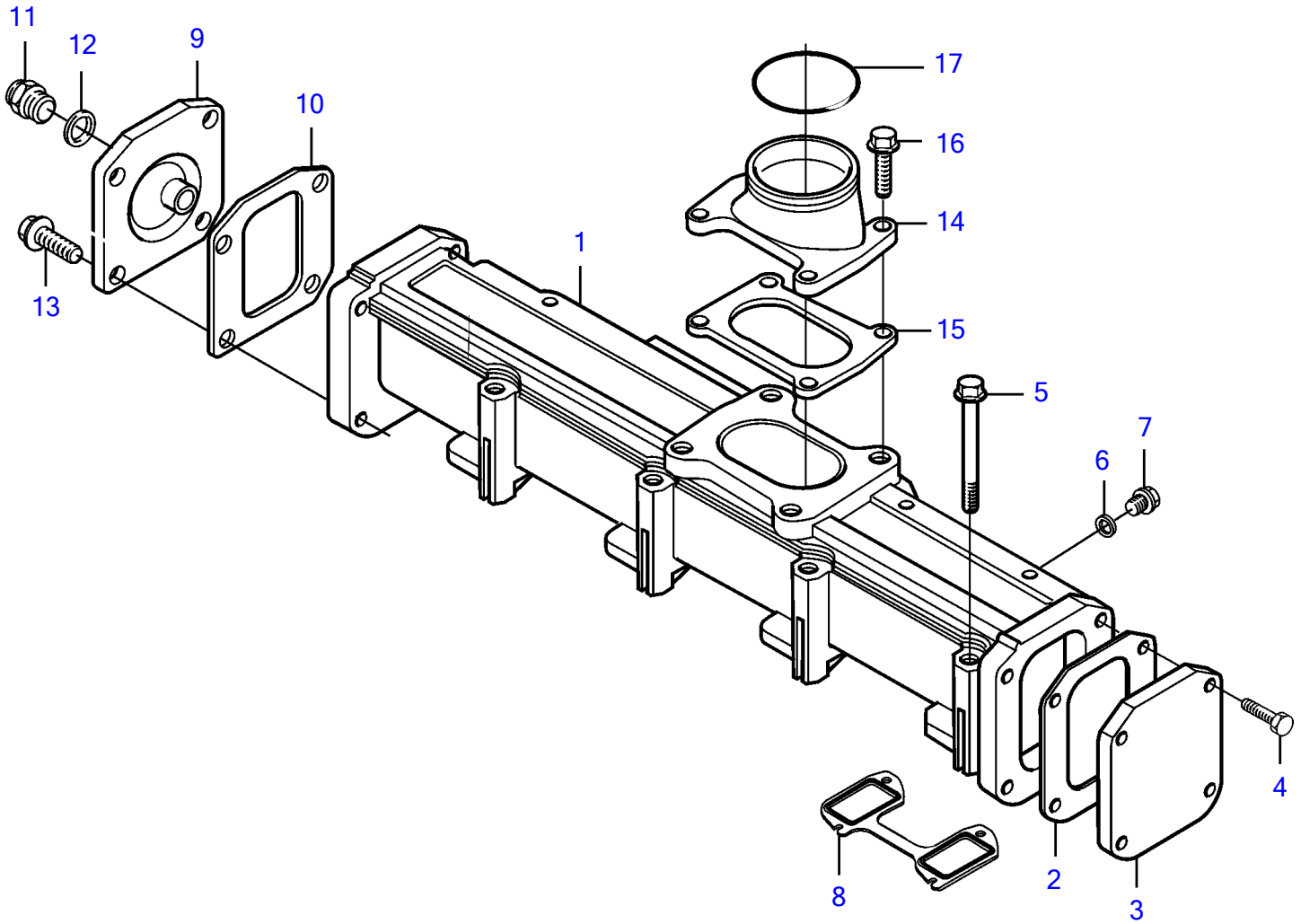


D5A-A TA, D5A-B TA



19793

D5A-A TA, D5A-B TA

REF	PART NO.	QTY	DESCRIPTION	NOTES
1	20405940	1	Inlet pipe	Part has a unique replacement. The new part may be used in any case. The old part may only be used for engines that were org. eq. with this part., SN-908744
	20586811	1	Inlet pipe	SN908745-
2	20405613	1	Gasket	
3	20405614	1	Cover	(20451007)
4	965215	4	Flange screw	
5	20412601	8	Flange screw	
6	969011	1	Gasket	
7	960630	1	Plug	
8	20591706	2	Gasket	
9	888780	1	Lid	
10	20405613	1	Gasket	
11	960630	1	Plug	
12	11998	1	Gasket	
13	20405792	4	Screw	
14	888776	1	Charge air pipe	
15	20875134	1	Gasket	
16	20459228	4	Flange screw	
17	888778	1	Sealing ring	