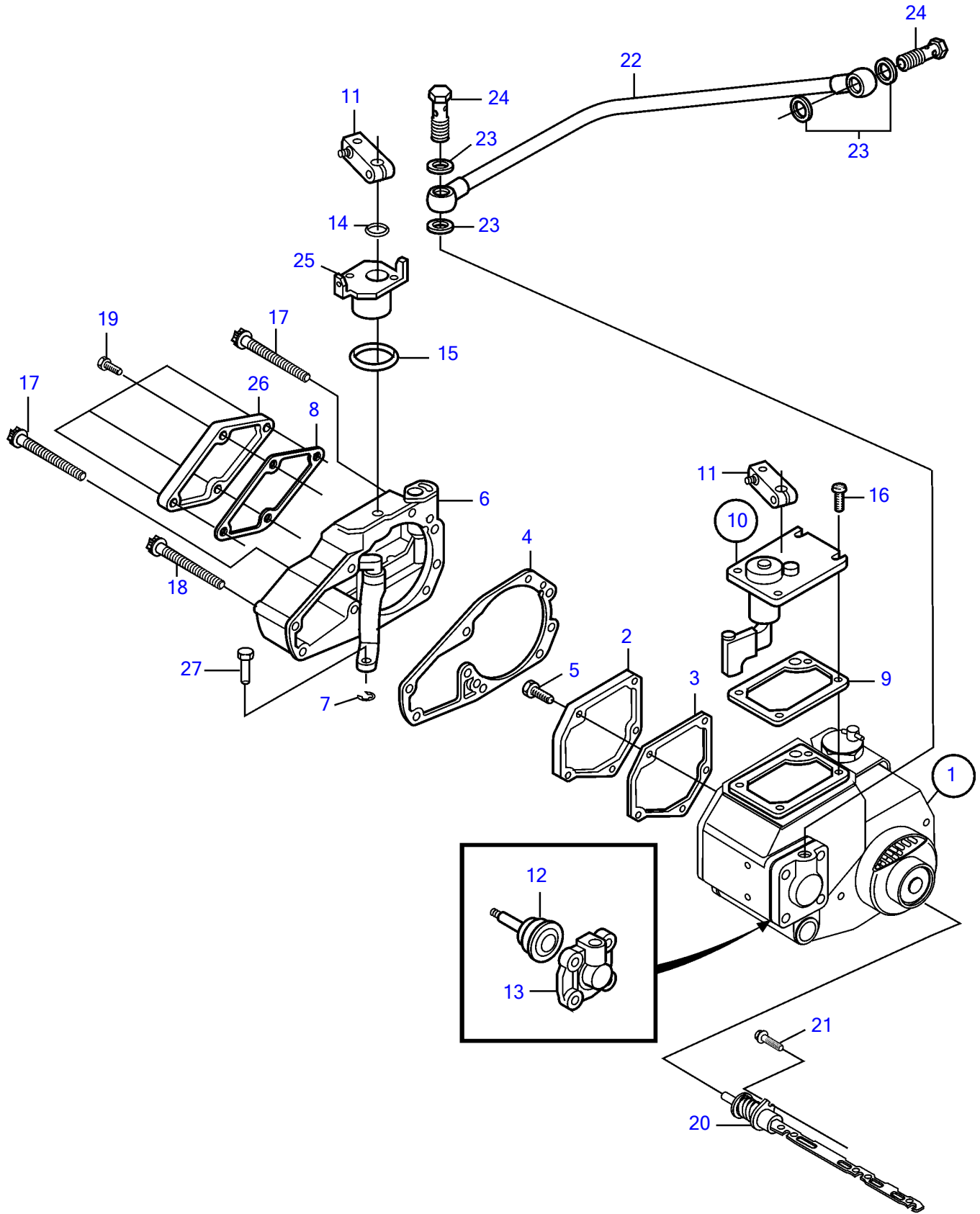


D7A-A T, D7A-A TA, D7C-A TA



D7A-A T, D7A-A TA, D7C-A TA

REF	PART NO.	QTY	DESCRIPTION	NOTES
1	20518787	1	Governor	When ordering a regulator as a spare part always state engine types, serialnumber, rated power and rated speed (rpm).
	(20590555)	1	Governor	Replaces 20518787, Obsolete part, When ordering a regulator as a spare part always state engine types, serialnumber, rated power and rated speed (rpm).
	20590582	1	Governor	When ordering a regulator as a spare part always state engine types, serialnumber, rated power and rated speed (rpm).
2		1	• Hood	
3	20405508	1	• Gasket	
4	20405510	1	• Gasket	
5	20460068	1	• Lock screw	
6		1	• Housing	
7		1	• Washer	
8	20405509	1	• Gasket	
9	20405507	1	• Gasket	
10	20412752	1	• Cover	
11		2	• • Intermediate lever	
12		1	• Piston	
13		1	• Cover	
14		1	• Ring	
15		1	• Ring	
16	20460067	1	Lock screw	Only use locking screw in case of repair. Locking screw can only be used once.
17	20460064	4	Six point screw	
18	888760	1	Six point screw	
19	20460082	4	Screw, locking screw	
20	20405868	1	Control rod	
21	946173	1	Flange screw	Prepared with locking fluid., (20405538)
22	888781	1	Charge air pipe	
23	947281	4	Gasket	
24	980973	2	Hollow screw	
25		1	Stop lug	
26		1	Lock	
27		1	Pin	

--	--	--	--	--