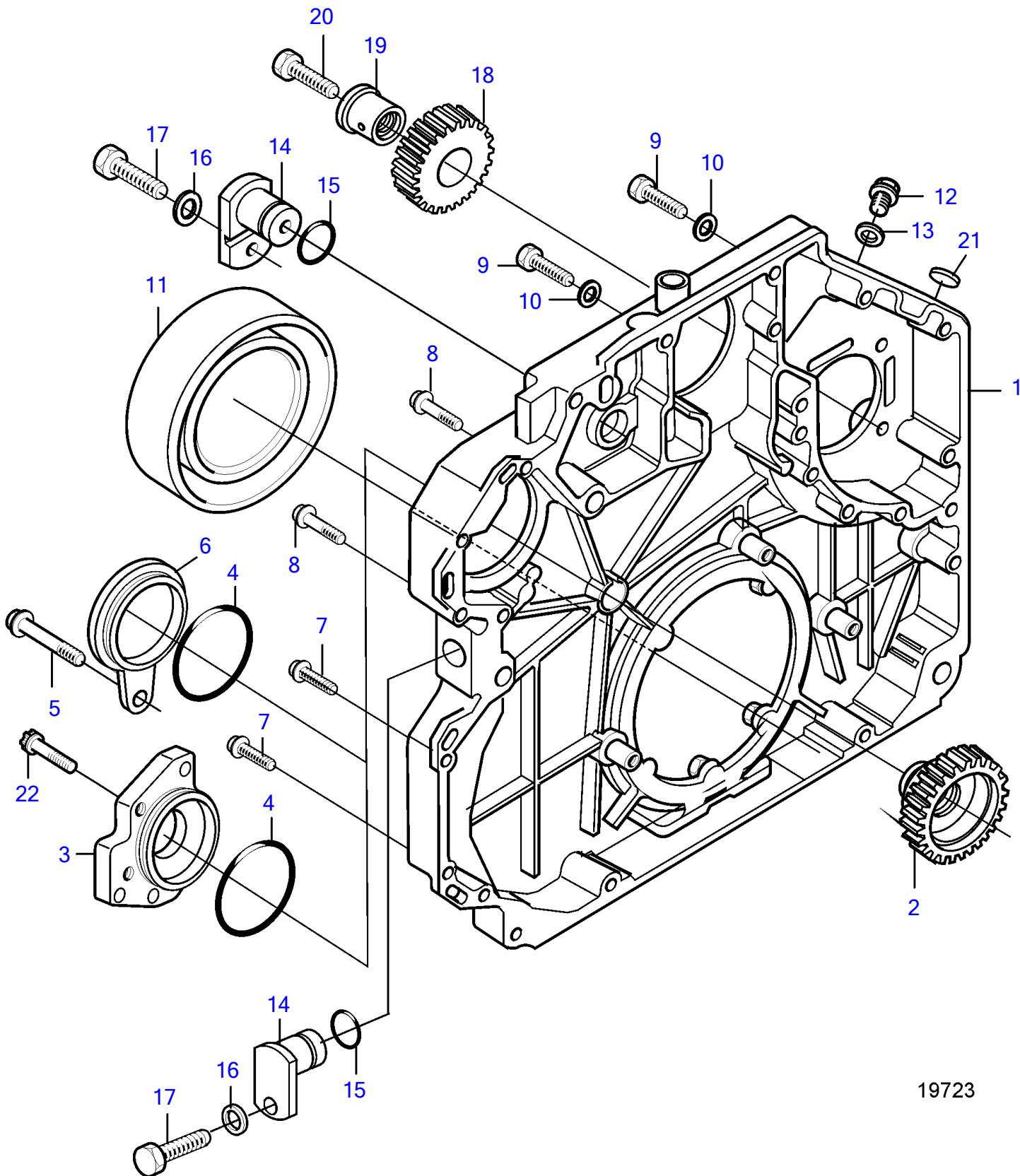


D5A-A T, D5A-A TA, D7A-A T, D7A-A TA, D5A-B TA, D7A-B TA, D7C-B TA, D7C-A TA



19723

D5A-A T, D5A-A TA, D7A-A T, D7A-A TA, D5A-B TA, D7A-B TA, D7C-B TA, D7C-A TA

REF	PART NO.	QTY	DESCRIPTION	SEE SEC.	NOTES
1	20405735	1	Timing gear cover		(20459974)
	20743680	1	Timing gear cover		(20405735)
2	20512175	1	Gear		
	20916167	1	Gear		(20512175)
3	20460507	1	Flange		PTO "C", 8 & 16cm <sup>3</sup> hydr. pump by keel cooling system. D5A & D7A T.
	21101972	1	Flange		PTO "C", 8 & 16cm <sup>3</sup> hydr. pump by keel cooling system. D5A & D7A T., (20460507)
	3586614	1	Adapter	6366	PTO "C", 8 & 16cm <sup>3</sup> hydr. pump, freshwater system.
4	20405652	1	O-ring		
5	20460508	3	Six point screw		
6	20405740	1	Cover		Replaced by 20459901
	20459901	1	Cover		(20405740)
	20706651	1	Cover		SN-01099468
	20950063	1	Cover		SN01099469-
7	975199	12	Flange screw		
8	20450801	4	Screw		
9	20405653	2	Screw		
10	955900	2	Washer		
11	20412286	1	Lip seal, crankshaft seal		
12	960630	1	Plug		
13	969011	1	Gasket		
14	20405553	1	Plug		
15	20459904	1	O-ring		
16	973494	1	Washer		
17	20405706	1	Screw		
18	20405558	1	Idler gear		
	20555503	1	Idler gear		(20405558)
19	11700504	1	Pivot pin		
20	20405560	1	Screw		
21	20405605	1	Plug		
22	20405559	3	Six point screw		