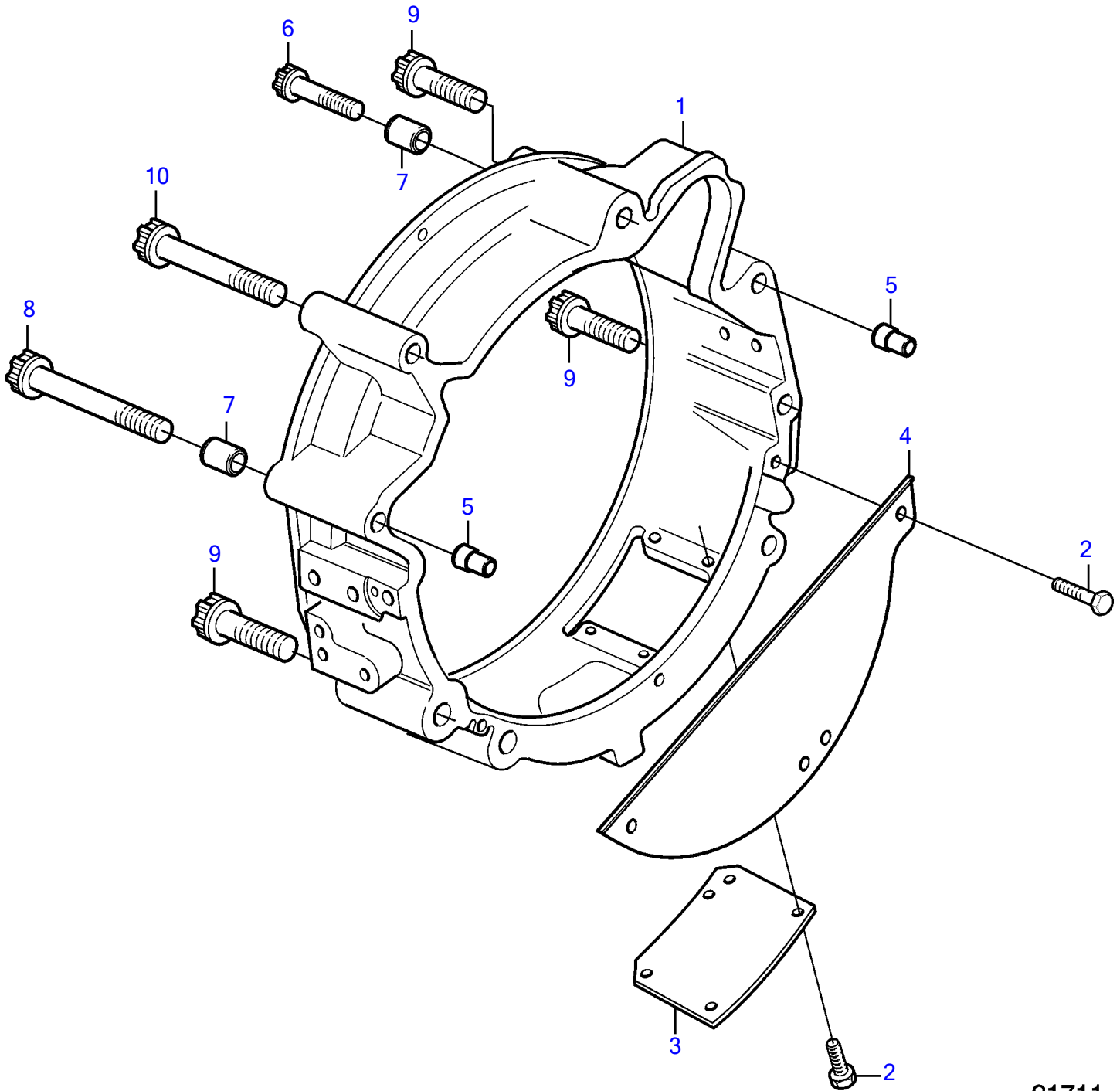


D5A-A T, D5A-A TA, D7A-A T, D7A-A TA, D5A-B TA, D7A-B TA, D7C-B TA, D7C-A TA



21711

D5A-A T, D5A-A TA, D7A-A T, D7A-A TA, D5A-B TA, D7A-B TA, D7C-B TA, D7C-A TA

REF	PART NO.	QTY	DESCRIPTION	NOTES
1	20585419	1	Housing	
2	967949	6	Flange screw	
3	888710	1	Lid	
	20547288	1	Cover plate	(888710)
4	20459989	1	Cover	
5	20585971	2	Bushing	
	20732816	2	Bushing	(20585971)
6	20405713	1	Six point screw	L=85mm
7	20405646	2	Bushing	
8	20405714	1	Six point screw	L=160mm
9	20501348	3	Screw	L=85mm
10	20405715	1	Six point screw	L=150mm