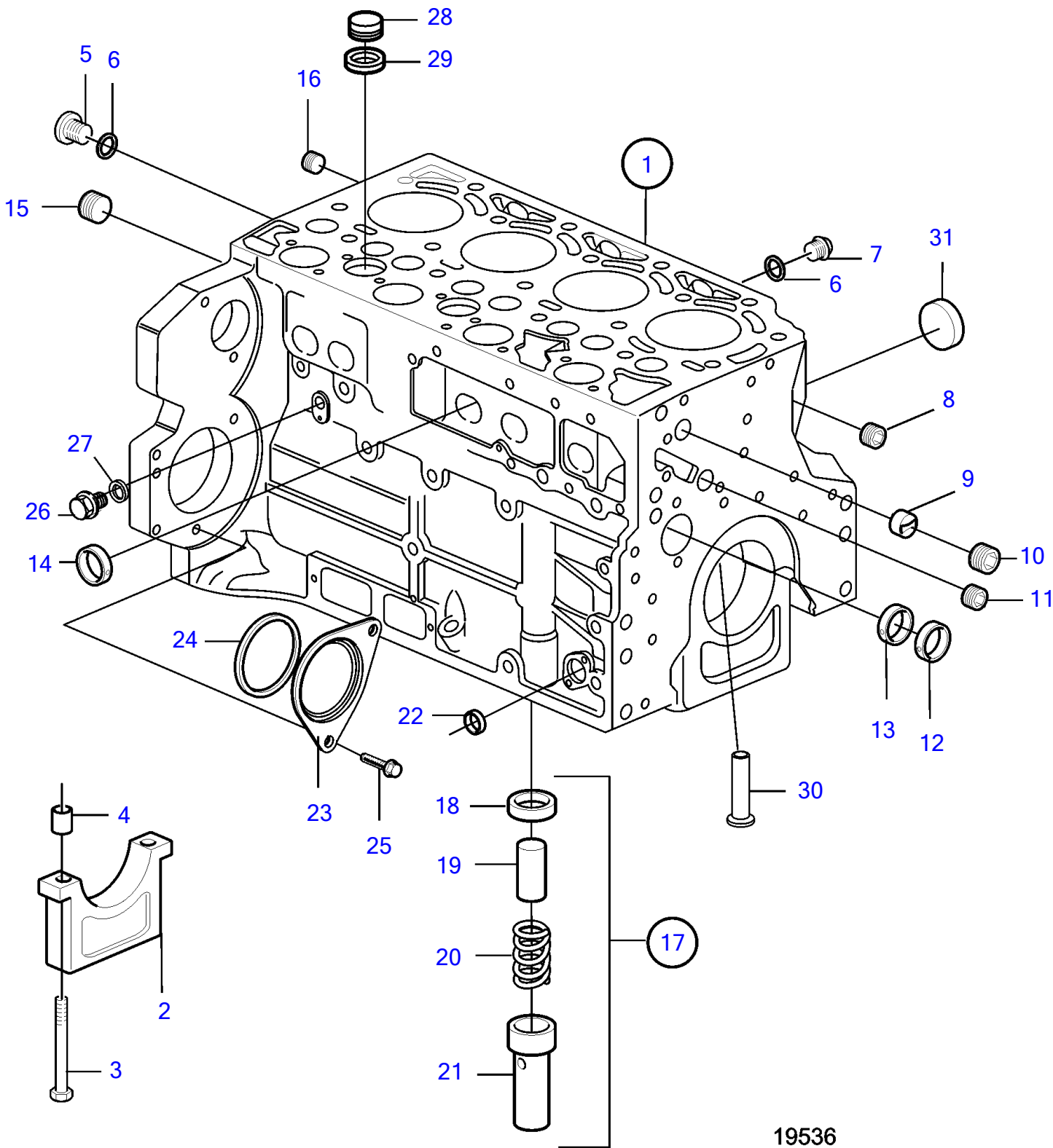


D5A-A T, D5A-A TA, D5A-B TA



D5A-A T, D5A-A TA, D5A-B TA

REF	PART NO.	QTY	DESCRIPTION	NOTES
1	20405979	1	Crankcase	SN-01068258
	20555444	1	Crankcase	Stage 1 and Tier 1, Std, SN01068259-01077756, Delivered with cylinder liner., (20405979)
	20555442	1	Crankcase	Stage 2 and Tier 2, Std, SN01077757-
	21251563	1	Cylinder block	Stage 2 and Tier 2, Classifiable, Delivered with cylinder liner.
2		5	• Main bearing cap	
3	20405583	10	• Flange screw	
4	11700278	10	• Bushing	
5	945065	2	• Plug	M14
6	969011	4	• Gasket	
7	20405716	1	• Plug	M14
8	20508600	1	• Plug	M14
9	20405584	1	• Guide sleeve	
10	20405717	1	• Plug	M30
11	20405719	1	• Plug	M22
12	11700284	6	• Bushing	
13	11700285	1	• Bushing	
14	20405721	6	• Cap plug	A45
15	20405718	1	• Plug	M14
16	20405722	1	• Plug	M22
17	11700271	1	Delivery valve	
18	20405904	1	• Ring	
19	20405936	1	• Valve	
20	20405896	1	• Compression spring	
21	20405937	1	• Sleeve	
22	20412745	1	Cap plug	A36
23	24426064	1	Cover	
24	20412359	1	O-ring	
25	975108	2	Flange screw	L=20mm
26	20405716	1	Plug	M14
27	969011	1	Gasket	
28	20758137	1	Plug	Without stop solenoid.
29	20405728	1	Sealing ring	
30	20405561	4	Jet, piston cooling	
31	20405986	1	Cap plug	