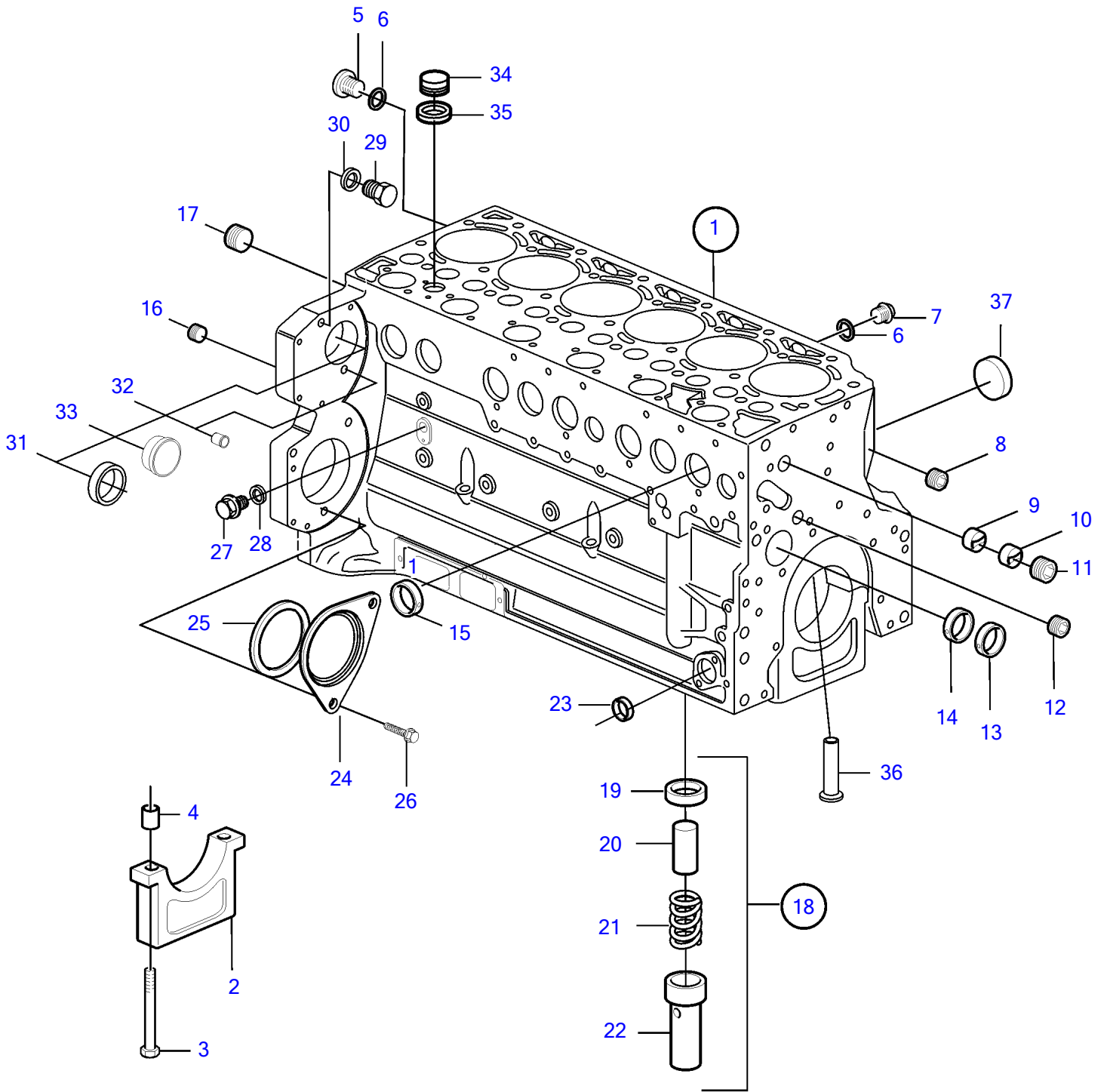


D7A-A T, D7A-A TA, D7A-B TA, D7C-B TA, D7C-A TA



24341

D7A-A T, D7A-A TA, D7A-B TA, D7C-B TA, D7C-A TA

REF	PART NO.	QTY	DESCRIPTION	NOTES
1	20405980	1	Cylinder	
	20537914	1	Cylinder block	Stage 1 and Tier 1, Std, (20405980)
	20544667	1	Crankcase	Stage 2 and Tier 2, Std
	21261516	1	Cylinder block	Stage 2 and Tier 2, Classifiable
2		7	• Main bearing cap	
3	20405583	14	• Flange screw	
4	11700278	14	• Bushing	
5	945065	2	• Plug	
6	969011	4	• Gasket	
7	20405716	1	• Plug	
8	20508600	1	• Plug	
9	20405906	1	• Guide sleeve	
10	20405584	1	• Guide sleeve	
11	20405717	1	• Plug	(20508585)
12	20405719	1	• Plug	(20508590)
13	11700284	6	• Bushing	
14	11700285	1	• Bushing	
15	20405721	10	• Cap plug	
16	20405718	1	• Plug	
17	20405722	1	• Plug	
18	11700271	1	Delivery valve	
19	20405904	1	• Ring	
20	20405936	1	• Valve	
21	20405896	1	• Compression spring	
22	20405937	1	• Sleeve	
23	20412745	1	Cap plug	
24	24426064	1	Cover	(20459898)
25	20412359	1	O-ring	
26	975108	2	Flange screw	
27	20405716	1	Plug	
28	969011	1	Gasket	
29	20441859	2	Plug, screw plug	
30	947281	2	Gasket	
31	20450778	1	Core plug	
32	20464561	1	Plug	
33	20464563	1	Plug	
34	21039801	1	Cap plug	Without stop solenoid.
35	20405728	1	Sealing ring	
36	20405561	6	Jet, piston cooling	
37	20405986	1	Cap plug	