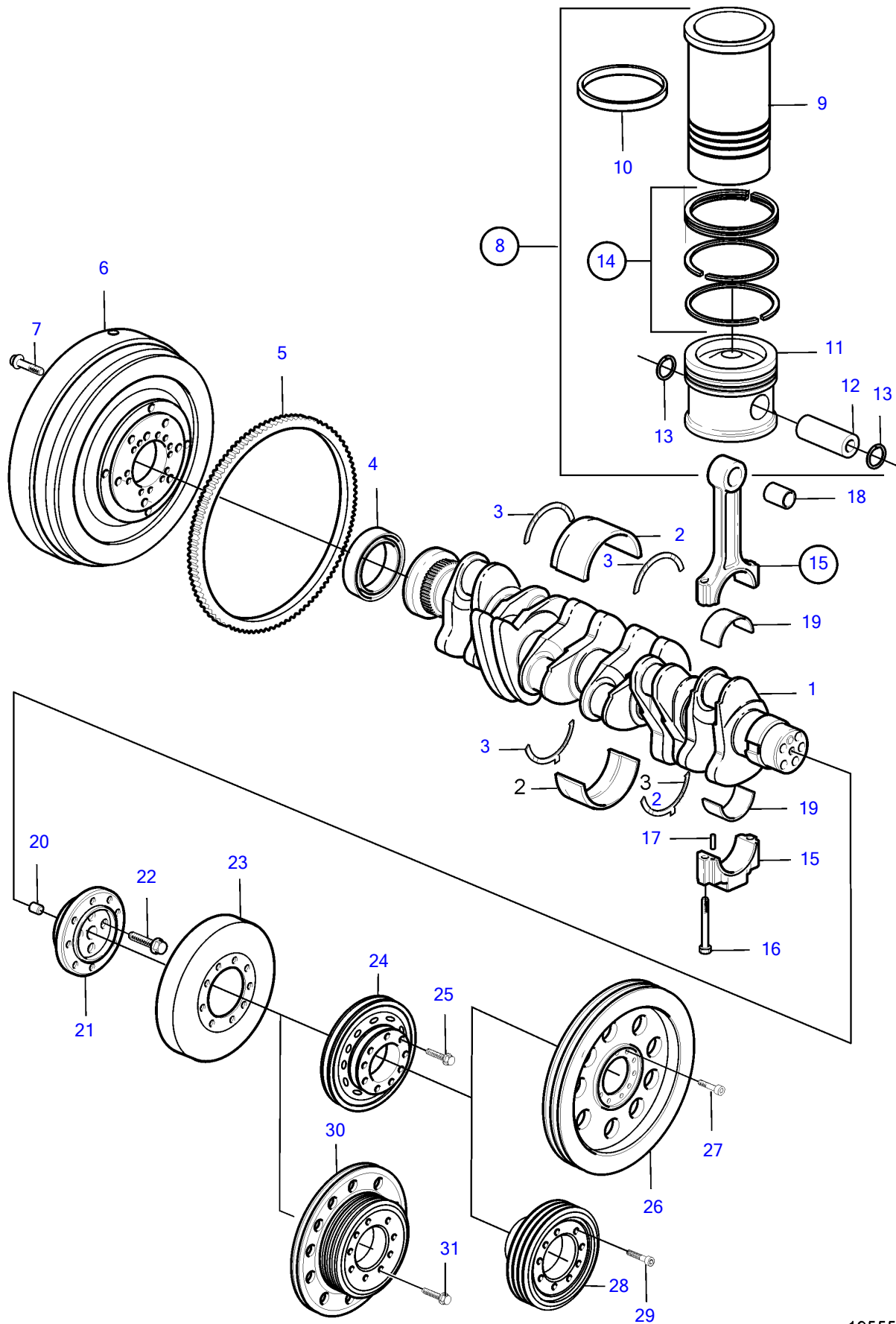


D7A-A T, D7A-A TA, D7A-B TA, D7C-B TA, D7C-A TA



D7A-A T, D7A-A TA, D7A-B TA, D7C-B TA, D7C-A TA

REF	PART NO.	QTY	DESCRIPTION	NOTES
1	20412323	1	Crankshaft	SN-01064129
	20724015	1	Crankshaft	SN-01099467
	20790461	1	Crankshaft	SN-01099468
	21245957	1	Crankshaft	SN01099469-
	21273403	1	Crankshaft	SN10699577-, Classifiable
2	21141948	7	Main bearing	Std, SN10594935-
	20405529	7	Main bearing	U.S=0,25mm, SN-10594934
	21234191	7	Main bearing	U.S=0,25mm, SN10594935-
	20405541	7	Main bearing	U.S=0.50mm
3	20405899	2	Thrust washer kit	Std
	11700315	2	Thrust washer kit	O.S=0.20mm (3.1mm)
4	20412286	1	Lip seal, crankshaft seal	
5		1	Gear ring	
6		1	Flywheel	
7		10	Screw	
8	877337	6	Cylinder liner kit	Stage 1 and Tier 1
	3843536	6	Cylinder liner kit	Stage 2 and Tier 2
	3843537	6	Cylinder liner kit	Stage 2 and Tier 2, Classifiable
9		1	• Cylinder liner	
10	20412762	2	• O-ring	
11		1	• Piston	
12	20405577	1	• • Piston pin	
13	20405576	2	• • Snap ring	
14	21304975	1	• • Piston ring	Stage 1 and Tier 1
	20450775	1	• • Piston ring	Stage 2 and Tier 2
15	20585982	6	Connecting rod	
	20798163	6	Connecting rod	Classifiable
16	11700326	2	• Flange screw	
17	20459134	2	• Grooved pin	
18	11700325	1	• Bushing	
19	20565150	6	Bearing	Std, Only for original part 11700324
	20766790	6	Bearing	Std, Only for 20585982
	20790423	6	Big-end bearing kit	U.S=0.25mm, Only for 20585982
	20717211	6	Bearing	U.S=0.25mm, Only for 11700324
	20790428	6	Big-end bearing kit	U.S=0.50mm, Only for 20585982
	20565188	6	Bearing	U.S=0.50mm, Only for 11700324
	21203494	6	Bearing	Std, Classifiable
	21203681	6	Bearing	U.S=0,25mm, Classifiable
	21203689	6	Bearing	U.S=0.50mm, Classifiable, Replaced by 20790428.
	20790428	6	Big-end bearing kit	US 0.50mm
20	20405634	1	Spring pin	18X24
21	20450843	1	Flange	
22	20405724	4	Six point screw	
23	20412598	1	Vibration damper	D=340mm
24	888713	1	Gear pulley	Pully for circulation pump & fuel pump, Pully for generator low left 28V 55A / 14V 95A
25	888712	9	Hexagon screw	
26	3588090	1	Pulley	Pully for generator low left 28V 140A
27	3588092	9	Hexagon screw	L=70mm
28	3586607	1	V-belt pulley	
29	3586606	9	Hexagon screw	L=100mm
30	20555448	1	Pulley	For fan drive without fan, ratio 1:10, 4 Grooves
31	20450849	9	Hexagon screw	