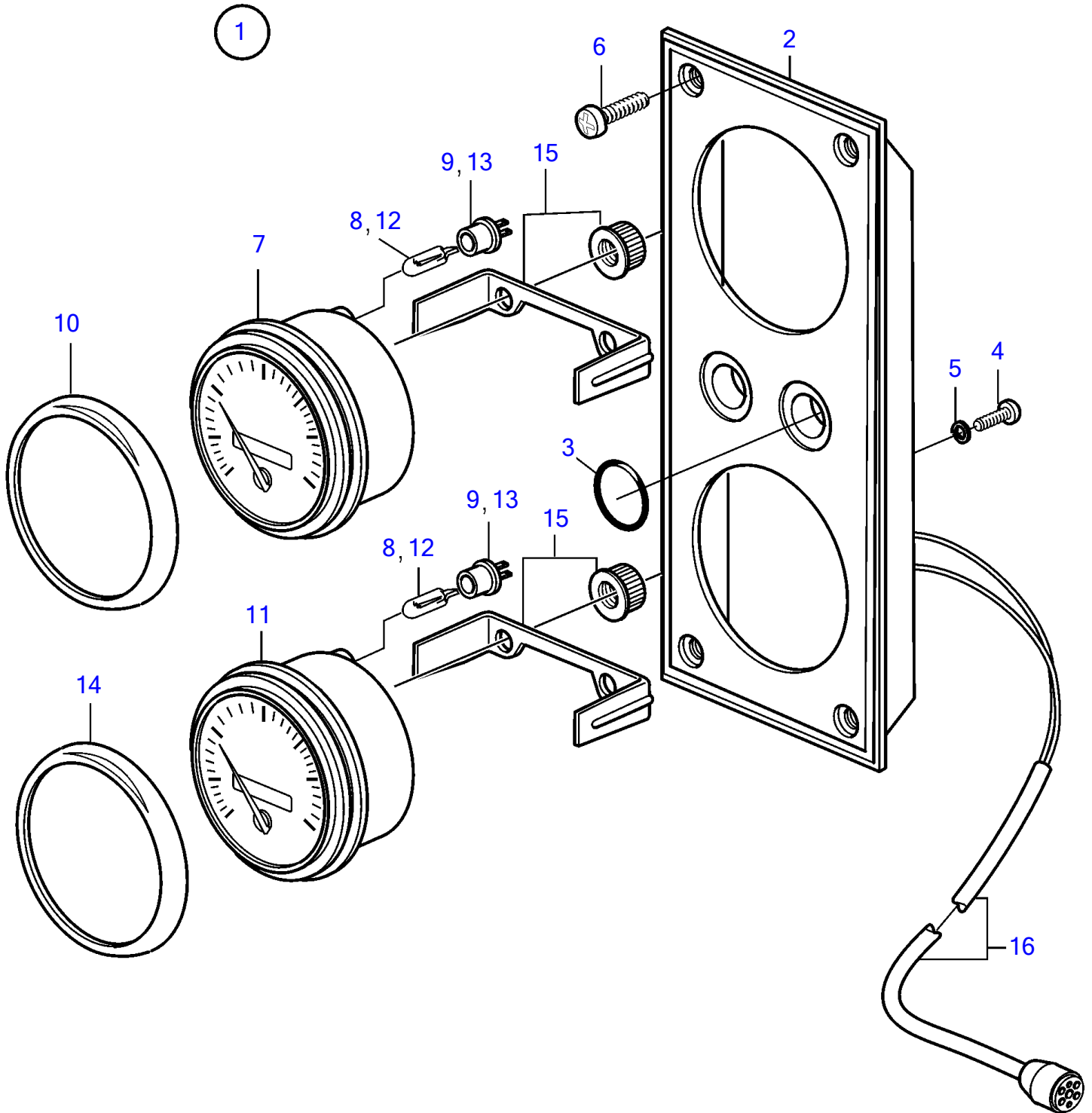


D5A-A T, D5A-A TA, D7A-A T, D7A-A TA, D5A-B TA, D7A-B TA, D7C-B TA, D7C-A TA



19848

D5A-A T, D5A-A TA, D7A-A T, D7A-A TA, D5A-B TA, D7A-B TA, D7C-B TA, D7C-A TA

REF	PART NO.	QTY	DESCRIPTION	NOTES
1	872282	1	Instrument panel	White coloured stripe.
2	(858874)	1	• Instrument panel	Obsolete part, White coloured stripe.
3	828607	2	• • Cover plate	
4	949947	1	• • Cross recessed screw	
5	941904	1	• • Spring washer	
6	828647	4	• • Screw	
7	873201	1	• Oil pressure gauge	(863936)
8	863946	1	• • Bulb	Withe bulb 19923 can be mounted in bulb socket 863945., Red
9	863945	1	• • Lamp socket	
10	858643	1	• Front ring	
11	873205	1	• Turbo pressure gauge	0-3bar
12	863946	1	• • Bulb	Withe bulb 19923 can be mounted in bulb socket 863945., Red
13	863945	1	• • Lamp socket	
14	858643	1	• Front ring	
15	873207	2	Brace kit	
16		1	• Cable trunk, electrical materials	