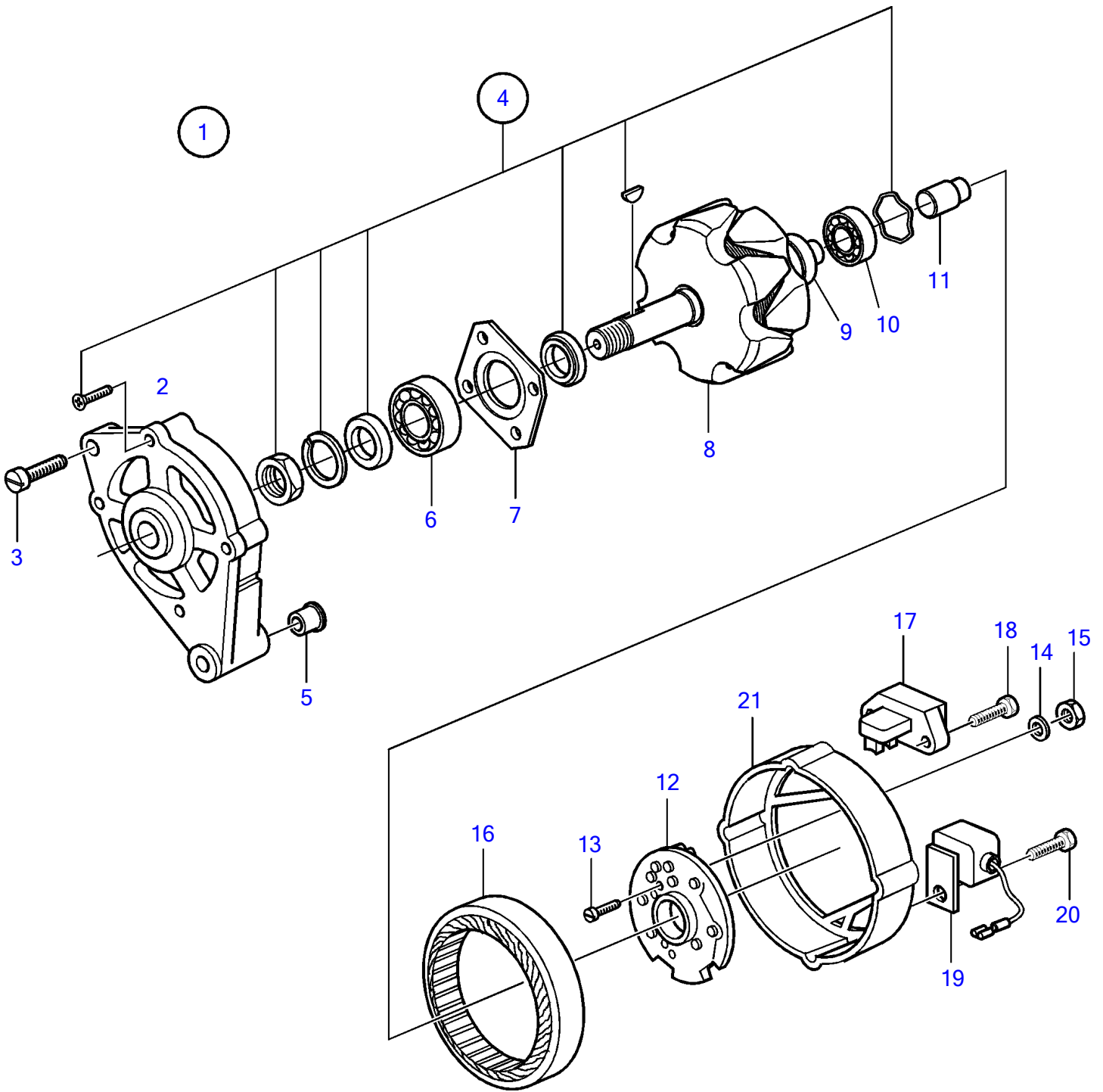


D5A-A T, D5A-A TA, D7A-A T, D7A-A TA, D5A-B TA, D7A-B TA, D7C-B TA, D7C-A TA



23556

D5A-A T, D5A-A TA, D7A-A T, D7A-A TA, D5A-B TA, D7A-B TA, D7C-B TA, D7C-A TA

REF	PART NO.	QTY	DESCRIPTION	NOTES
1	20460424	1	Alternator	Part has a unique replacement. The new part may be used in any case. The old part may only used for engines that were org. eq. with this part., SN-01028361
	20571644	1	Alternator	SN01028362-
	3803882	1	Alternator, exch, exch	SN01028362-
	3803882	1	Alternator, exch	
2	(20460426)	1	• Bearing, housing	Obsolete part
3	20460440	3	• Screw	
4	20459032	1	• Kit	
5		1	• Bushing	
6		1	• Ball bearing	
7		1	• Cover plate	
8		1	• Rotor	
9	20460431	1	• • Slip ring	
10		1	• Ball bearing	
11		1	• Guide bushing	
12	20460433	1	• Rectifier	
13		2	• Screw	
14	20460442	2	• Kit	
15	955780	2	• Hexagon nut	
16		1	• Stator	
17	20798462	1	• Charge regulator	SN-010535879
	21184083	1	• Voltage regulator	SN010535880-
18	20460438	2	• Screw	
19	20459031	1	• Capacitor	
20	20460436	1	• Screw	
21		1	• Protecting casing	