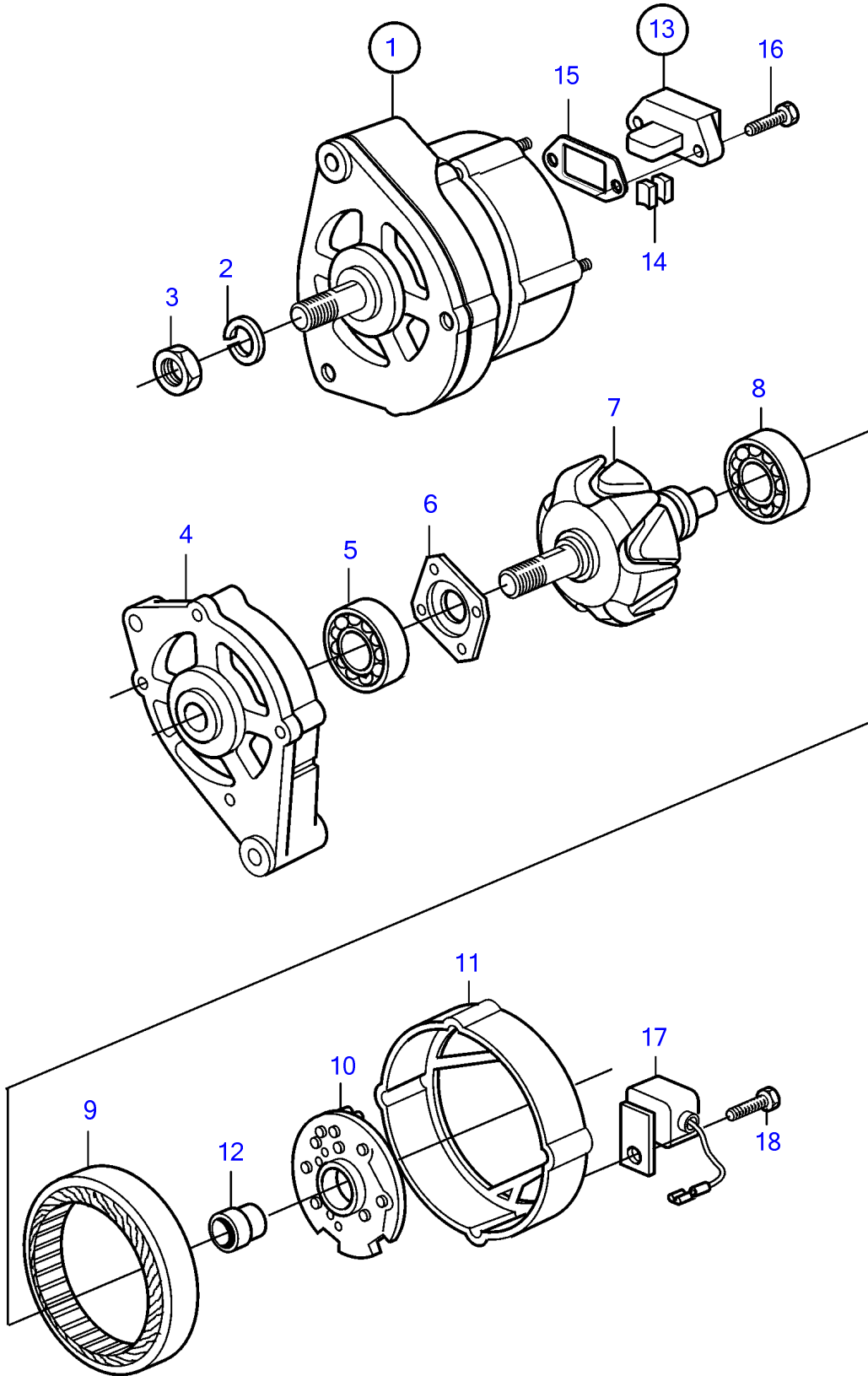


D5A-A T, D5A-A TA, D7A-A T, D7A-A TA, D7C-A TA, D7C-A TA



D5A-A T, D5A-A TA, D7A-A T, D7A-A TA, D7C-A TA, D7C-A TA

REF	PART NO.	QTY	DESCRIPTION	NOTES
1	881668	1	Alternator	28V 55A
	3803963	1	Alternator, exch	
2	941912	1	• Spring washer	
3	20441521	1	• Hexagon nut	
4		1	• Housing	
5		1	• Ball bearing	
6		1	• Cover plate	
7		1	• Rotor	
8		1	• Ball bearing	
9		1	• Stator	
10	(20482702)	1	• Rectifier	Obsolete part
11		1	• Protecting casing	
12		1	• Spacer	
13	20482687	1	• Voltage regulator	
14	20459030	1	• • Carbon brush	
15	20482701	1	• • Gasket	
16	20460438	2	• Screw	
17	20460856	1	• Capacitor	
18		1	• Screw	