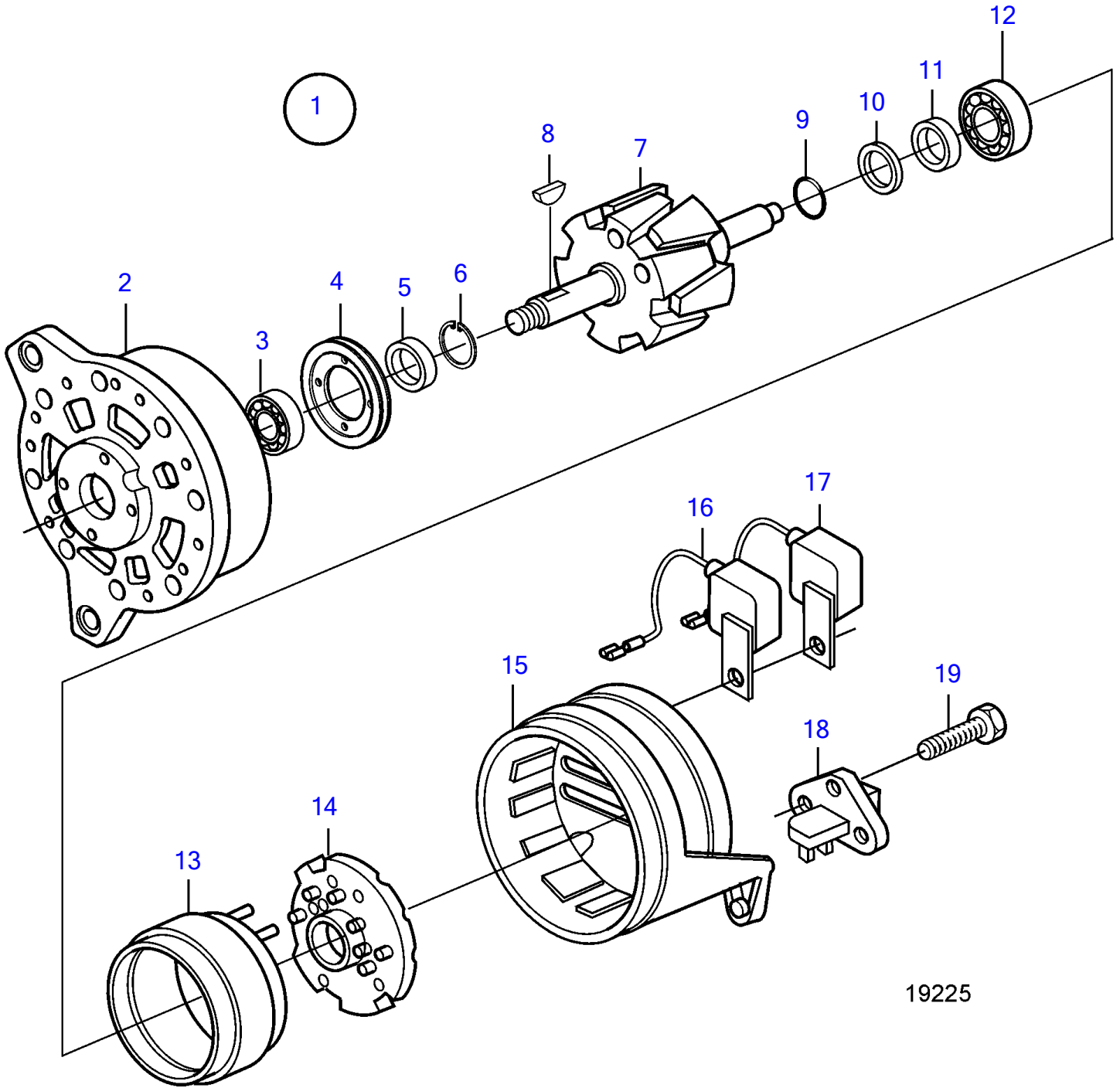


D5A-A T, D5A-A TA, D7A-A T, D7A-A TA, D5A-B TA, D7A-B TA, D7C-B TA, D7C-A TA



19225

D5A-A T, D5A-A TA, D7A-A T, D7A-A TA, D5A-B TA, D7A-B TA, D7C-B TA, D7C-A TA

REF	PART NO.	QTY	DESCRIPTION	NOTES
1	20747520	1	Alternator	(20460366)
	3803878	1	Alternator, exch, exch	(20460366)
	3803878	1	Alternator, exch	
2		1	• Housing	
3		1	• Ball bearing	
4		1	• Cover plate	
5		1	• Support ring	
6		1	• Lock ring	
7		1	• Rotor	
8		1	• Woodruff key	
9			• O-ring	
10		1	• Spacer ring	
11		1	• Sealing ring	
12		1	• Roller bearing	
13		1	• Ring	
14	20494172	1	• Rectifier	
15		1	• Stator	
16	20460856	1	• Capacitor	
17	20460857	1	• Capacitor	
18	20460367	1	• Voltage regulator	
19		3	• Screw	