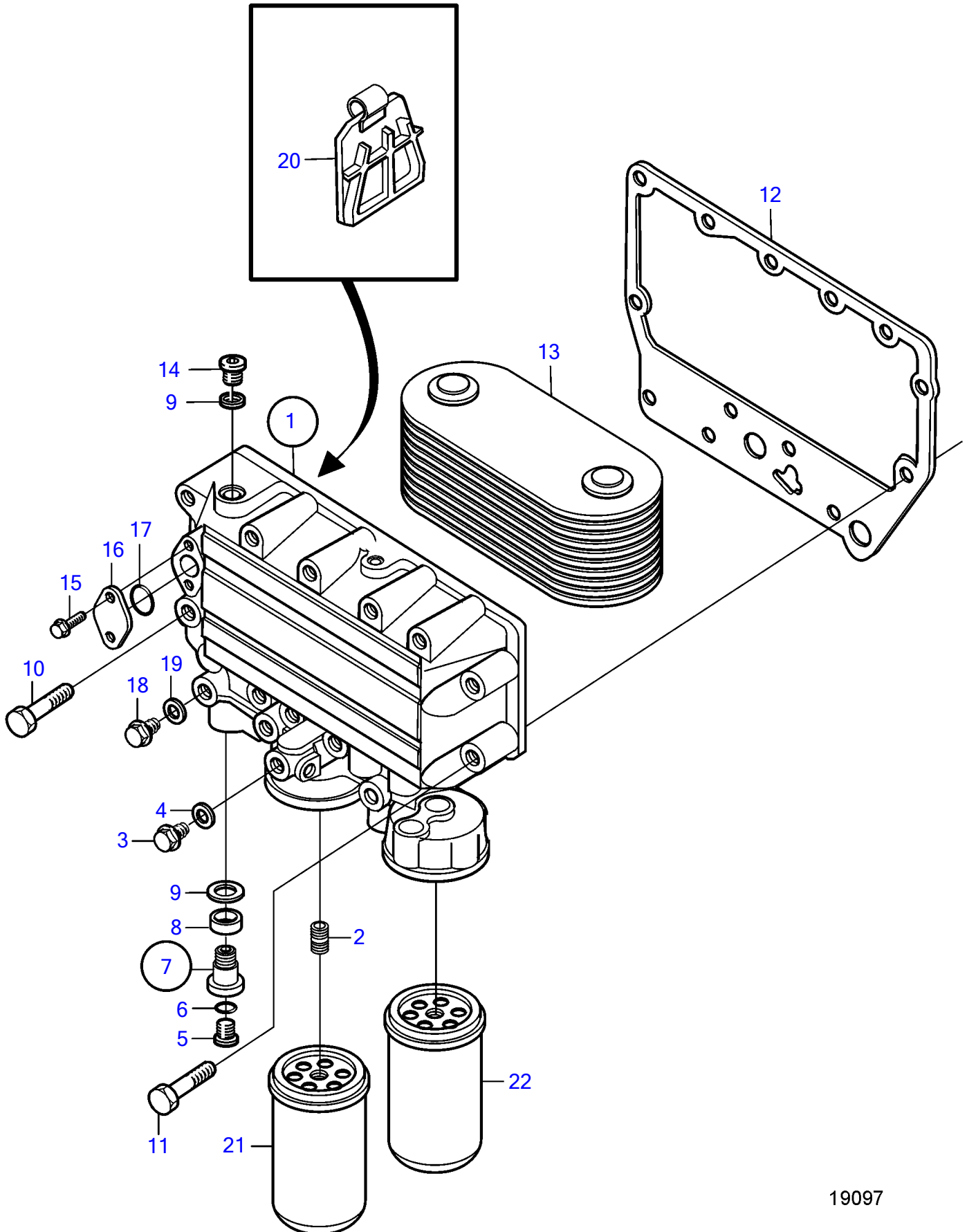


D7A-A T, D7A-A TA, D7C-A TA, D7A-B TA, D7C-B TA



19097

D7A-A T, D7A-A TA, D7C-A TA, D7A-B TA, D7C-B TA

REF	PART NO.	QTY	DESCRIPTION	SEE SEC.	NOTES
1	20797236	1	Oil cooler		(20485258)
2	20405758	1	• Bushing		
3	960628	1	• Plug		
4	947281	1	• Gasket		
5	966147	2	Plug		
6	20405578	2	O-ring		
7	20405752	2	Screw		
8	20405569	2	• Sealing ring		
9	957189	4	Gasket		
10	20405917	10	Screw		L=80mm
11	973924	3	Flange screw		L=50mm
12	20405747	1	Gasket		
13	21095069	1	Oil cooler, classifiable		D7A/C-TA
	20715681	1	Oil cooler		D7A/C-TA
	21188792	1	Oil cooler, classifiable		D7A-T
	20715679	1	Oil cooler		D7A-T
14	20459195	2	Plug		
15	965215	2	Flange screw		
16	11700609	1	Flange		
17	20405599	1	O-ring		
18	20450891	1	Plug		
19	957181	1	Gasket		
20	20405744	1	Valve		
21	3831236	1	Oil filter		
22		1	Fuel filter	6395	

7745900-26-22283

19097

Upd:2012-02-23

D5A-A T, D5A-A TA, D7A-A T, D7A-A TA, D7C-A TA, D5A-B TA, D7A-B TA, D7C-B TA