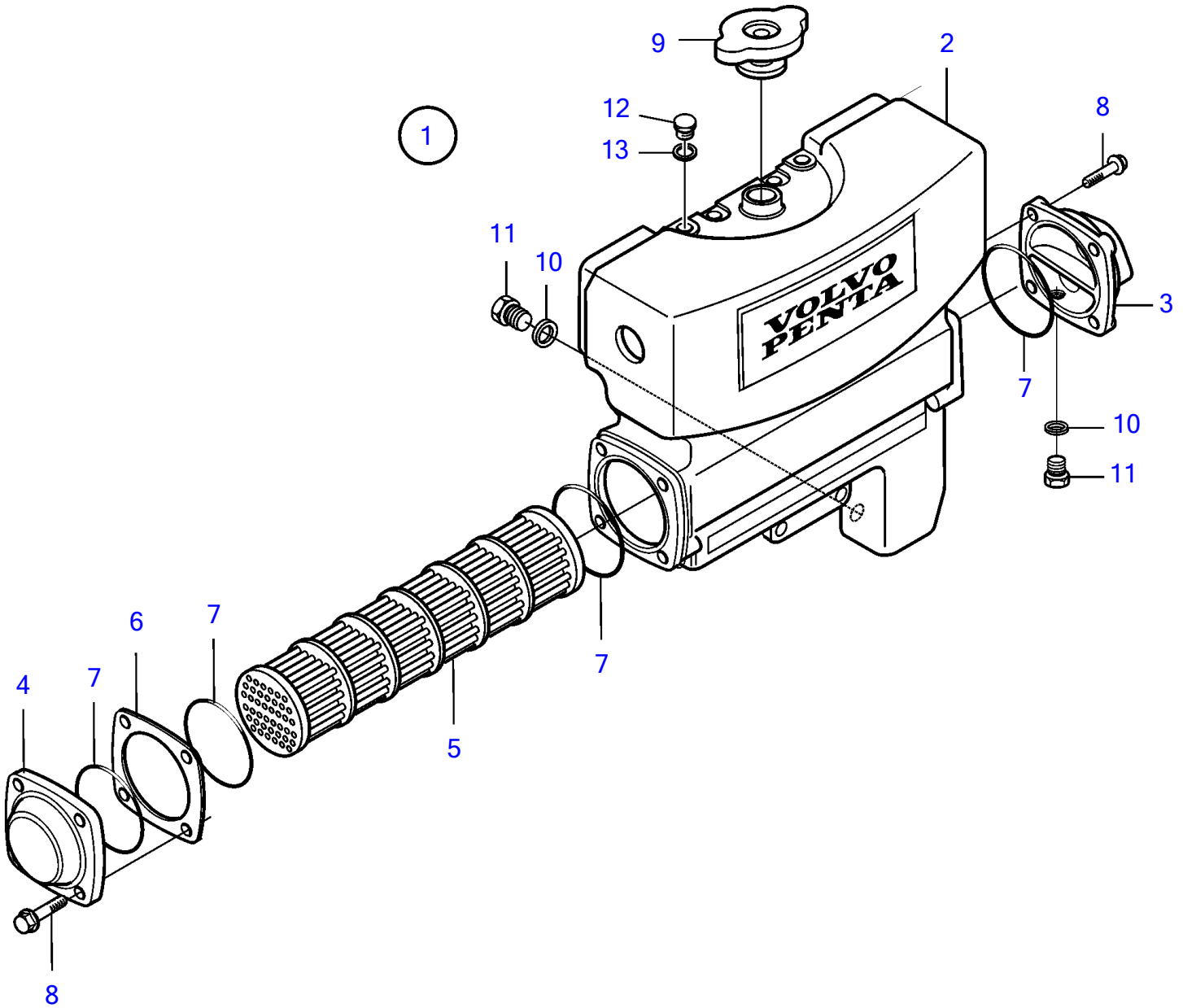


D5A-A T, D7A-A T, D7A-A TA, D7C-A TA, D5A-B TA, D7A-B TA



24199

D5A-A T, D7A-A T, D7A-A TA, D7C-A TA, D5A-B TA, D7A-B TA

REF	PART NO.	QTY	DESCRIPTION	NOTES
1	3838284	1	Heat exchanger	
2		1	• Housing, heat exchanger	
3	3838334	1	• End cover	
4	3838333	1	• End cover	
5	3838332	1	• Insert	
6	3838335	1	• Spacer	
7	3838336	4	• O-ring	
8	3838337	8	• Screw	
9	3838338	1	• Pressure cap	(1 bar)
10	3838339	2	• Washer	
11	3838340	2	• Plug	
12	960632	1	Plug	
13	948884	1	Gasket	