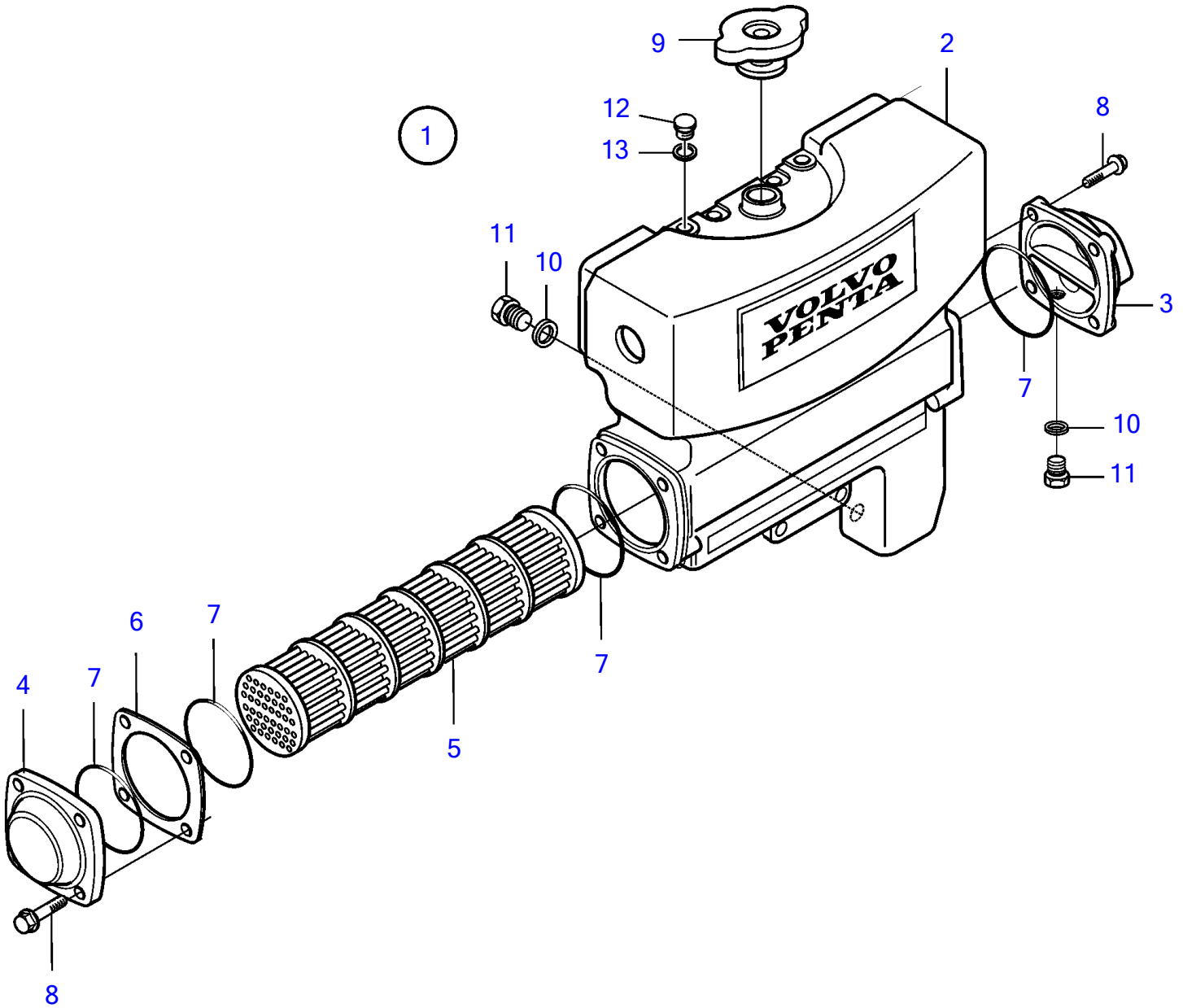


D5A-A T, D7A-A T, D7A-A TA, D7C-A TA, D5A-B TA, D7A-B TA



24199

D5A-A T, D7A-A T, D7A-A TA, D7C-A TA, D5A-B TA, D7A-B TA

| REF | PART NO. | QTY | DESCRIPTION | NOTES |
|-----|----------|-----|---------------------------|---------|
| 1 | 3838284 | 1 | Heat exchanger | |
| 2 | | 1 | • Housing, heat exchanger | |
| 3 | 3838334 | 1 | • End cover | |
| 4 | 3838333 | 1 | • End cover | |
| 5 | 3838332 | 1 | • Insert | |
| 6 | 3838335 | 1 | • Spacer | |
| 7 | 3838336 | 4 | • O-ring | |
| 8 | 3838337 | 8 | • Screw | |
| 9 | 3838338 | 1 | • Pressure cap | (1 bar) |
| 10 | 3838339 | 2 | • Washer | |
| 11 | 3838340 | 2 | • Plug | |
| 12 | 960632 | 1 | Plug | |
| 13 | 948884 | 1 | Gasket | |