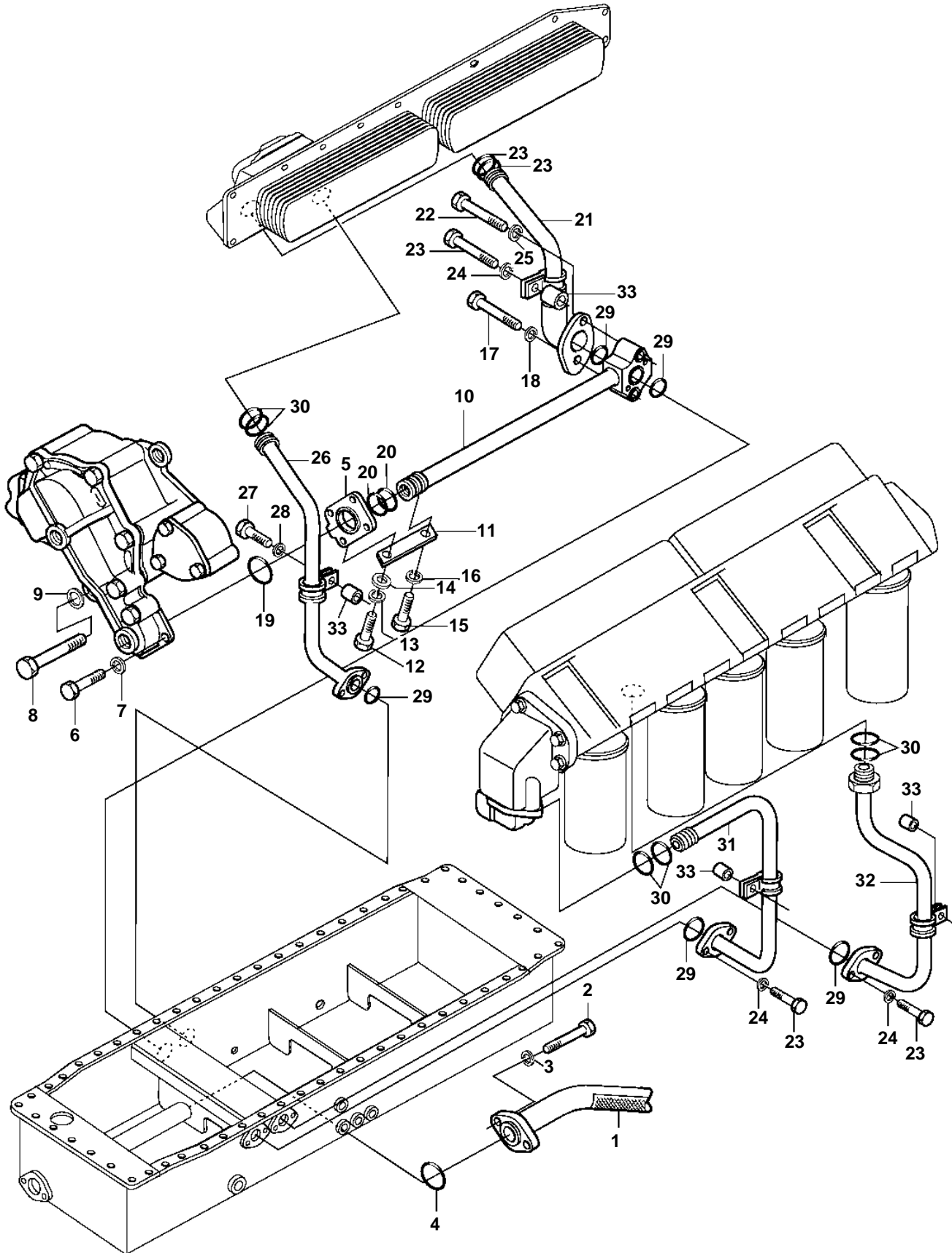


D49A-MT, D49A-MS



18518

D49A-MT, D49A-MS

REF	PART NO.	QTY	DESCRIPTION
1	3834737	1	Oil pump screen
2	3832056	2	Screw
3	3832245	2	Spring washer
4	3835444	1	O-ring
5	3833266	1	Connector
6	3832058	2	Screw
7	3832233	2	Spring washer
8	3832051	2	Screw
9	3832233	2	Spring washer
10	3834128	1	Oil pipe
11	3834677	1	Stay
12	3832042	1	Screw
13	3832225	1	Spring washer
14	3832214	1	Washer
15	3832042	1	Screw
16	3832233	1	Spring washer
17	3831551	2	Screw
18	3832245	2	Spring washer
19	3835444	1	O-ring
20	3831577	2	O-ring
21	3834132	1	Oil pipe
22	3831547	1	Screw
23	3832044	1	Screw
24	3832233	1	Spring washer
25	3832233	1	Spring washer
26	3834131	1	Oil pipe
27	3832044	6	Screw
28	3832233	6	Spring washer
29	3831572	5	O-ring
30	3835495	8	O-ring
31	3834129	1	Oil pipe
32	3834130	1	Oil pipe
33	3831631	4	Plate