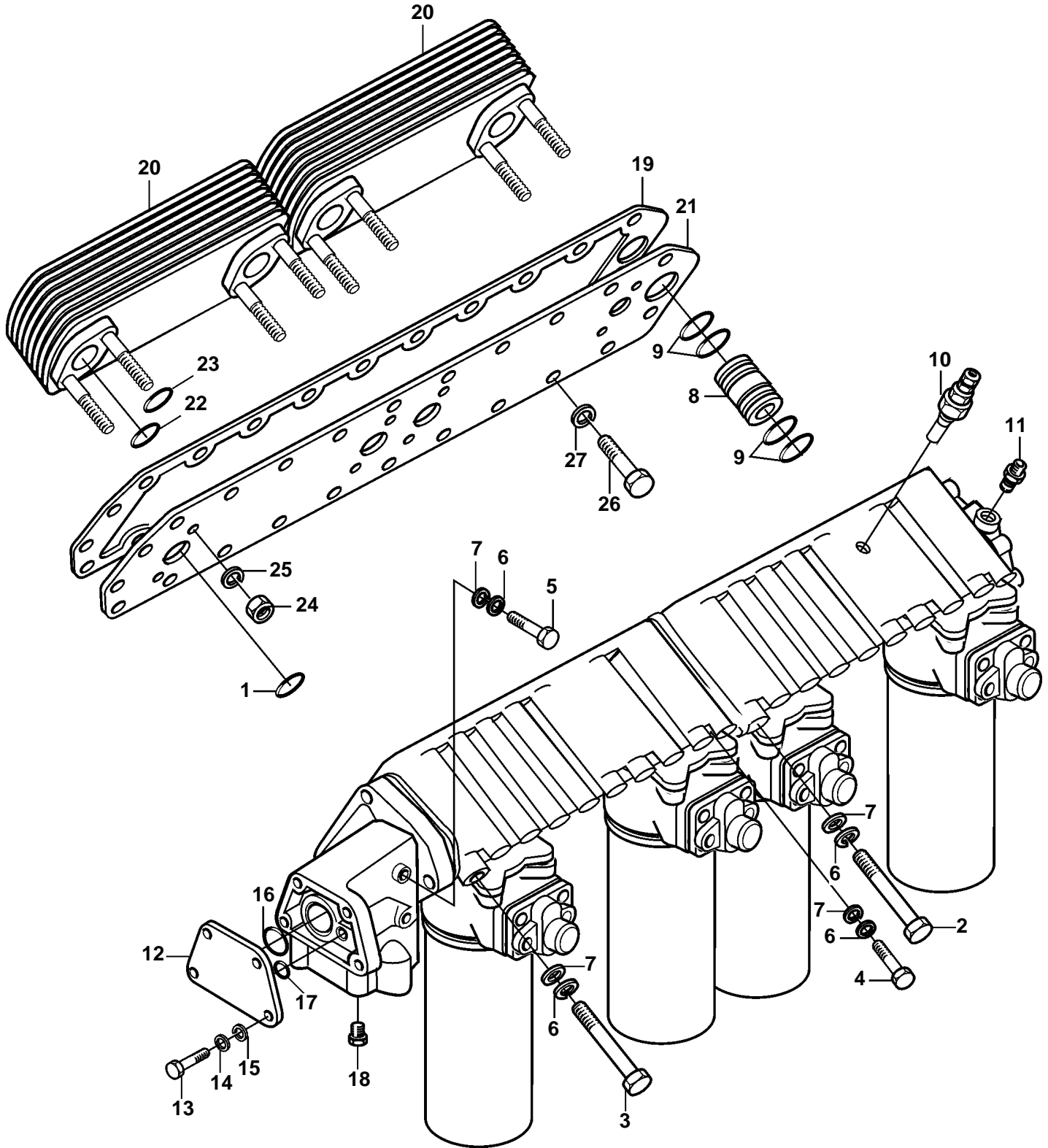


D49A-MT, D49A-MS



D49A-MT, D49A-MS

REF	PART NO.	QTY	DESCRIPTION
1	3831932	4	O-ring
2	3832263	6	Screw
3	3832264	2	Screw
4	3832090	8	Screw
5	3831553	2	Screw
6	3832245	20	Spring washer
7	3832218	20	Washer
8	3833302	1	Clutch
9	3835495	4	O-ring
10	3832149	1	Plug
11	3832322	1	Connector
12	3835865	1	Cover
13	3832044	4	Screw
14	3832233	4	Spring washer
15	3832214	4	Washer
16	3835495	1	O-ring
17	3831958	1	O-ring
18	3832336	1	Plug
19	3838302	1	Gasket
20	3833470	2	Oil cooler
21	3834239	1	Plate
22	3831932	4	O-ring
23	3835110	8	O-ring
24	3831782	8	Lock nut
25	3832233	8	Spring washer
26	3832056	3	Screw
27	3832245	3	Spring washer