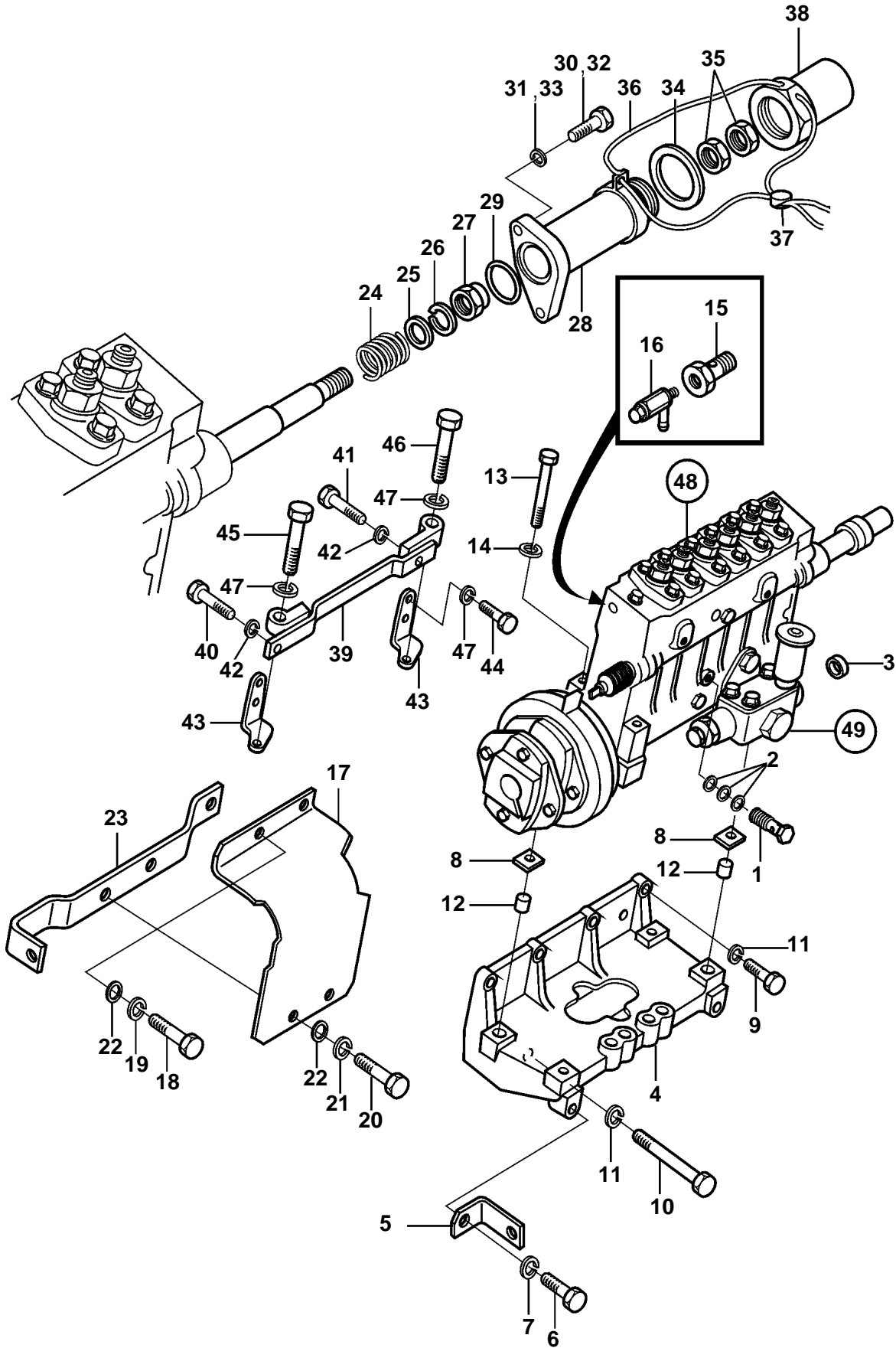


D49A-MT, D49A-MS



D49A-MT, D49A-MS

REF	PART NO.	QTY	DESCRIPTION	SEE SEC.	NOTES
1	3832295	2	Hollow screw		
2	3831588	6	Sealing washer		
3	3831890	2	Spacer		
4	3838480	2	Bracket		
5	3834723	1	Stay		
6	3832058	1	Screw		
7	3832245	1	Spring washer		
8	3834590	4	Shim		
9	3832073	10	Screw		
10	3831553	4	Screw		
11	3832245	14	Spring washer		
12	3833972	4	Guide sleeve		
13	3832090	8	Screw		
14	3832245	8	Spring washer		
15	3832027	2	Hollow screw		
16	3831626	2	Tap		
17	3833379	2	Cover		
18	3835725	4	Screw		
19	3832218	4	Washer		
20	3832041	4	Screw		
21	3832233	4	Spring washer		
22	3832214	4	Washer		
23	3834684	2	Stay		
24	3834662	2	Return spring		
25	3832214	2	Washer		
26	3832233	2	Spring washer		
27	3831785	2	Lock nut		
28	3833161	2	Spring housing		
29	3835765	2	O-ring		
30	3835722	3	Screw		
31	3832225	3	Spring washer		
32	3832040	1	Screw		
33	3832225	1	Spring washer		
34	3831945	2	Sealing washer		
35	3831771	4	Lock nut		
36	3837686	2	Wire		
37	3832024	2	Lead sealing tab		
38	3833111	2	Cap		
39	3834703	2	Stay		
40	3832093	2	Screw		
41	3831554	2	Screw		
42	3832277	4	Spring washer		
43	3834704	4	Stay		
44	3832058	8	Screw		
45	3832065	2	Screw		
46	3832073	2	Screw		
47	3832245	12	Spring washer		
48	3834310	1	Injection pump		SB
	3834308	1	Injection pump		P
				4982	
49	3834322	1	Fuel pump		
				4986	