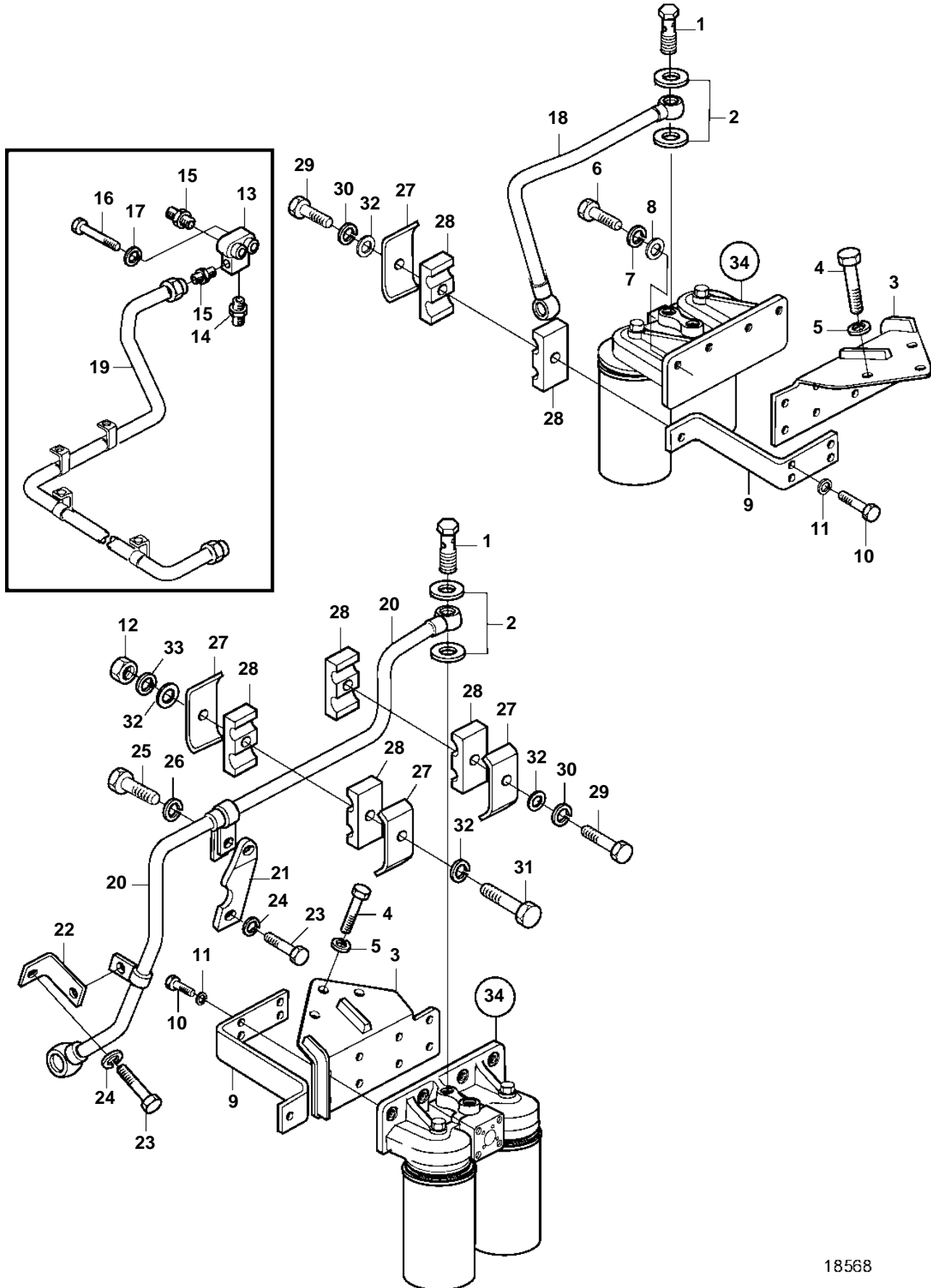


D49A-MT, D49A-MS



18568

D49A-MT, D49A-MS

REF	PART NO.	QTY	DESCRIPTION	SEE SEC.
1	3832311	4	Hollow screw	
2	3831591	8	Sealing washer	
3	3833042	2	Bracket	
4	3832058	6	Screw	
5	3832245	6	Spring washer	
6	3832044	8	Screw	
7	3832233	8	Spring washer	
8	3832214	8	Washer	
9	3834722	2	Stay	
10	3832042	4	Screw	
11	3832233	4	Spring washer	
12	3832196	1	Lock nut	
13	3833274	1	Connector	
14	3833281	1	Connector	
15	3832324	2	Connector	
16	3832089	2	Screw	
17	3832245	2	Spring washer	
18	3835856	1	Fuel pipe	
19	3835857	1	Fuel pipe	
20	3835858	1	Fuel pipe	
21	3834724	1	Stay	
22	3834721	1	Stay	
23	3832092	2	Screw	
24	3832277	2	Spring washer	
25	3832041	2	Screw	
26	3832233	2	Spring washer	
27	3831700	4	Clamp	
28	3831701	6	Seat	
29	3832045	2	Screw	
30	3832233	2	Spring washer	
31	3832047	1	Screw	
32	3832214	4	Washer	
33	3832233	1	Spring washer	
34	3835047	2	Fuel filter	
				4988