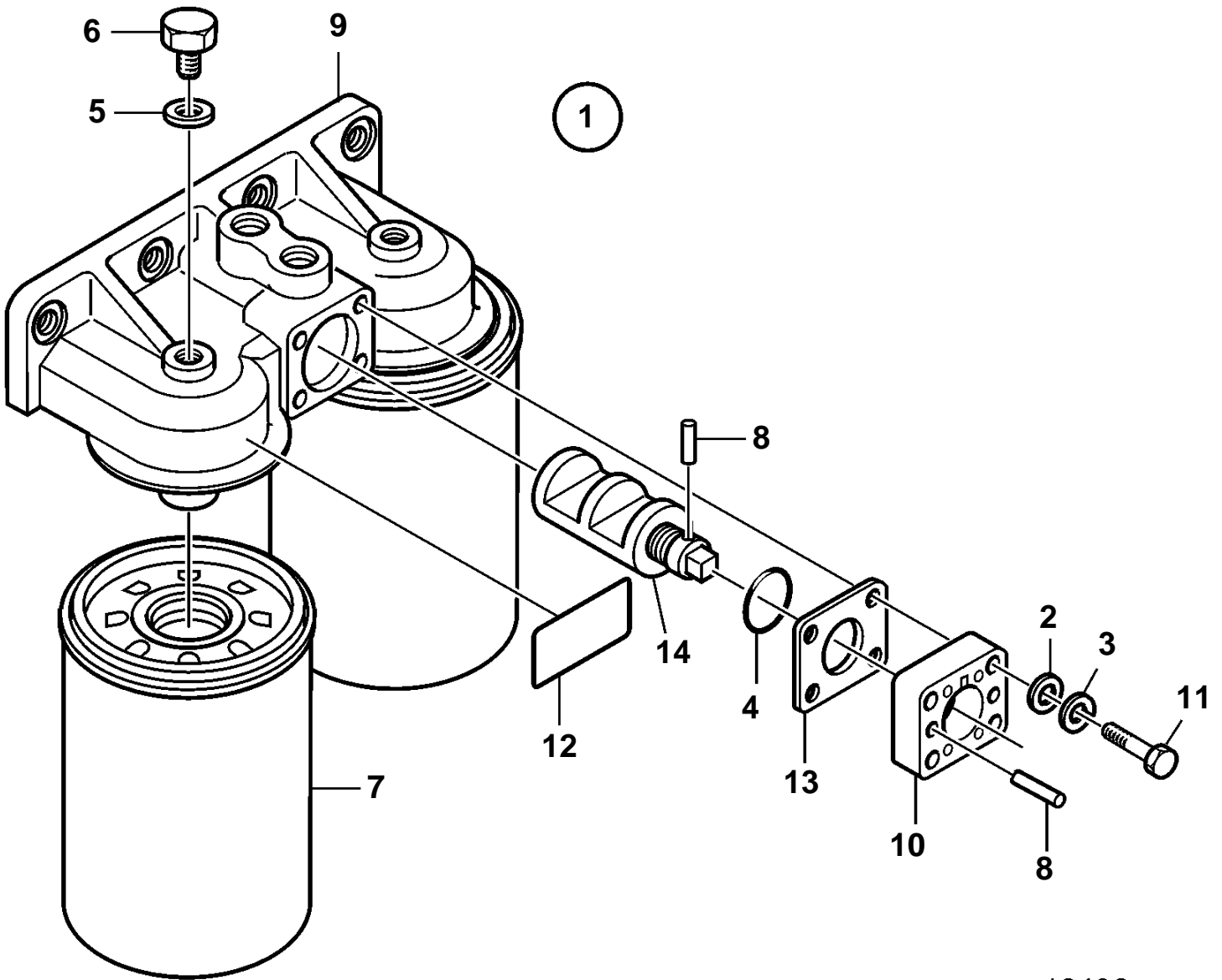


D49A-MT, D49A-MS



18436

D49A-MT, D49A-MS

| REF | PART NO. | QTY | DESCRIPTION |
|-----|----------|-----|------------------|
| 1 | 3835047 | 1 | Fuel filter |
| 2 | 3831791 | 4 | · Washer |
| 3 | 3832225 | 4 | · Spring washer |
| 4 | 3831959 | 1 | · O-ring |
| 5 | 3831586 | 2 | · Sealing washer |
| 6 | 3834277 | 2 | · Plug |
| 7 | 3831484 | 2 | · Fuel filter |
| 8 | 3833980 | 3 | · Pin |
| 9 | 3833013 | 1 | · Bracket |
| 10 | 3833335 | 1 | · Cover |
| 11 | 3832254 | 4 | · Screw |
| 12 | | 1 | · Sign |
| 13 | 3833541 | 1 | · Gasket |
| 14 | 3833201 | 1 | · Tap |