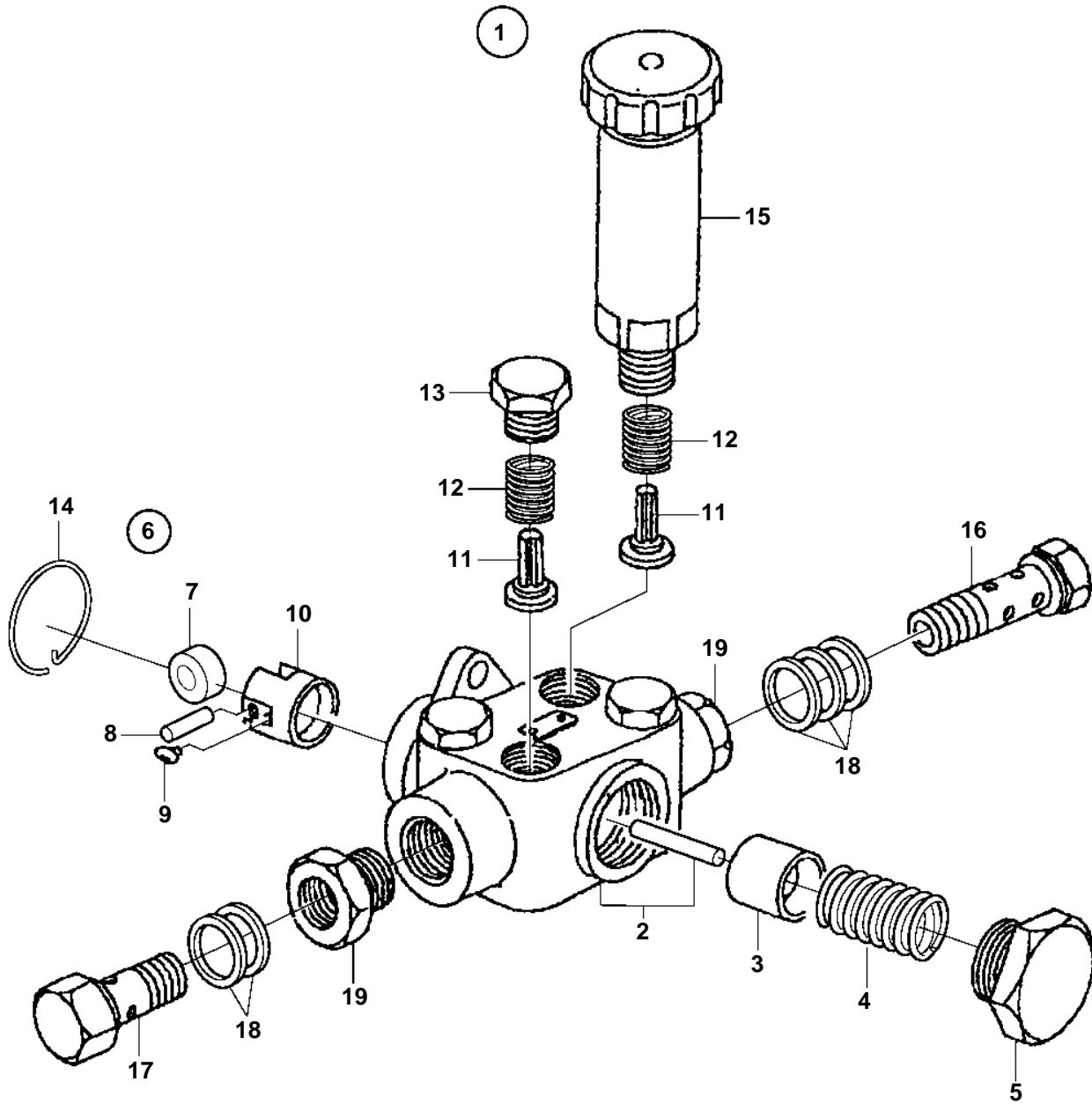


D49A-MT, D49A-MS



D49A-MT, D49A-MS

| REF | PART NO. | QTY | DESCRIPTION |
|-----|----------|-----|------------------|
| 1 | 3834322 | 1 | Fuel pump |
| 2 | 3833638 | 1 | · Housing |
| 3 | 3834195 | 1 | · Piston |
| 4 | 3834660 | 1 | · Piston spring |
| 5 | 3834260 | 1 | · Plug |
| 6 | 3834764 | 1 | · Tappet |
| 7 | 3834392 | 1 | · · Roller |
| 8 | 3833956 | 1 | · · Pin |
| 9 | 3833607 | 2 | · · Guide |
| 10 | | 1 | · · Lifter |
| 11 | 3834820 | 4 | · Valve |
| 12 | 3834644 | 4 | · Spring |
| 13 | 3834262 | 3 | · Plug |
| 14 | 3834359 | 1 | · Snap ring |
| 15 | 3834325 | 1 | · Feed pump |
| 16 | 3832281 | 1 | · Hollow screw |
| 17 | 3832274 | 1 | · Hollow screw |
| 18 | 3831591 | 5 | · Sealing washer |
| 19 | 3832134 | 2 | · Adapter |