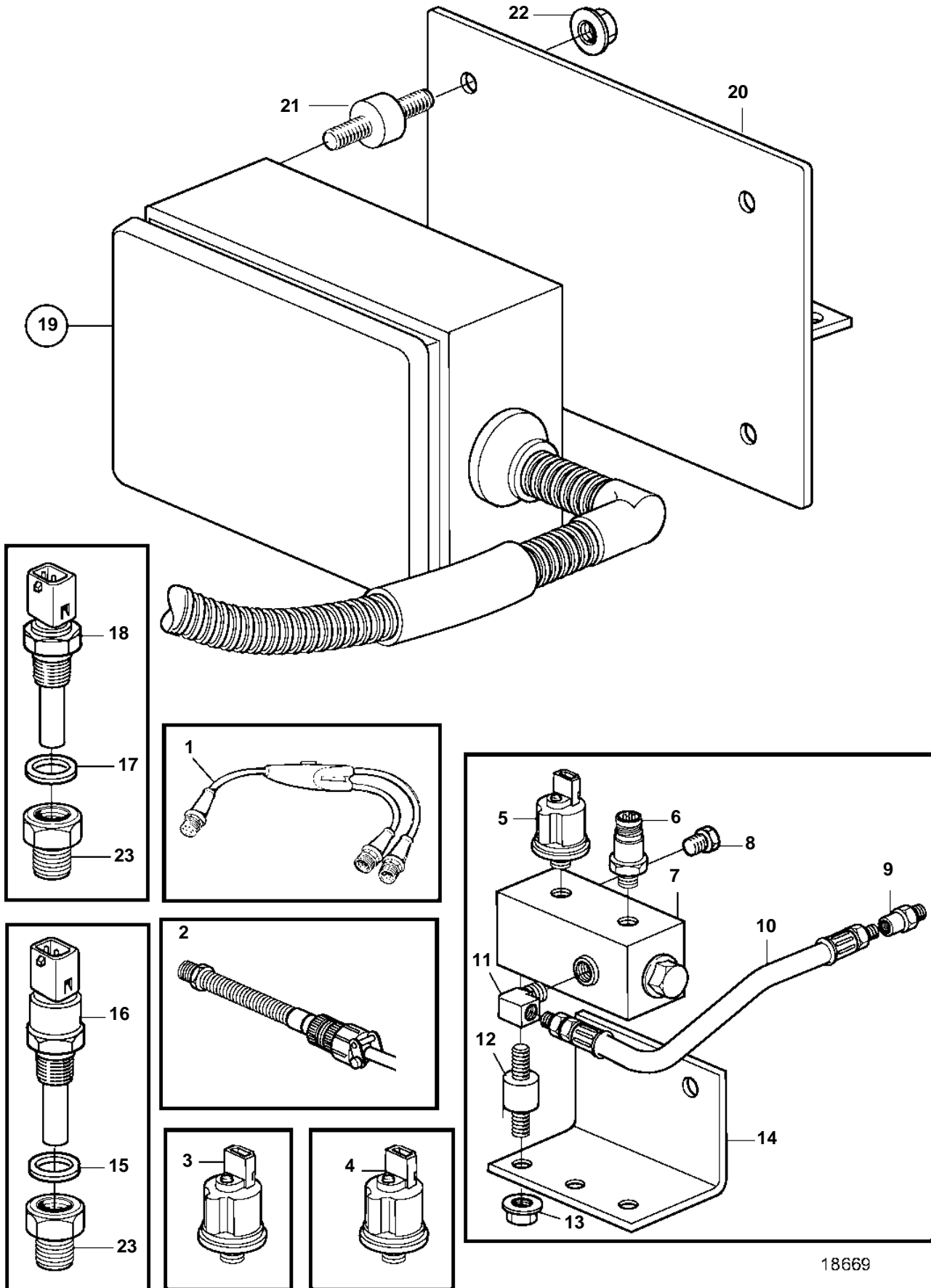


D49A-MT, D49A-MS



18669

D49A-MT, D49A-MS

| REF | PART NO. | QTY | DESCRIPTION | SEE SEC. |
|-----|----------|-----|--|----------|
| 1 | 1140598 | 1 | Y-koppling | |
| 2 | 863618 | 1 | Impulse sensor | |
| 3 | 866839 | 1 | Pressure sensor, oil pressure-reverse gear | |
| 4 | 866837 | 1 | Pressure sensor, turbo | |
| 5 | 866836 | 1 | Pressure sensor, oil-engine | |
| 6 | 20382506 | 1 | Breaker | |
| 7 | 3835882 | 1 | Bracket | |
| 8 | 479979 | 1 | Plug | |
| 9 | 180009 | 1 | Nipple | |
| 10 | 344624 | 1 | Hose | |
| 11 | 180110 | 1 | Elbow nipple | |
| 12 | 3574797 | 2 | Rubber cushion | |
| 13 | 945407 | 2 | Flange nut | |
| 14 | 3836040 | 1 | Bracket | |
| 15 | 11998 | 1 | Gasket | |
| 16 | 858229 | 1 | Thermo monitor, coolant water | |
| 17 | 11998 | 1 | Gasket | |
| 18 | 862567 | 1 | Temperature sensor, coolant water | |
| 19 | | 1 | Wiring harness | |
| | | | | 5077 |
| 20 | 3836038 | 1 | Bracket | |
| 21 | 3574797 | 4 | Rubber cushion | |
| 22 | 945407 | 4 | Flange nut | |
| 23 | 3836036 | 2 | Adapter | |