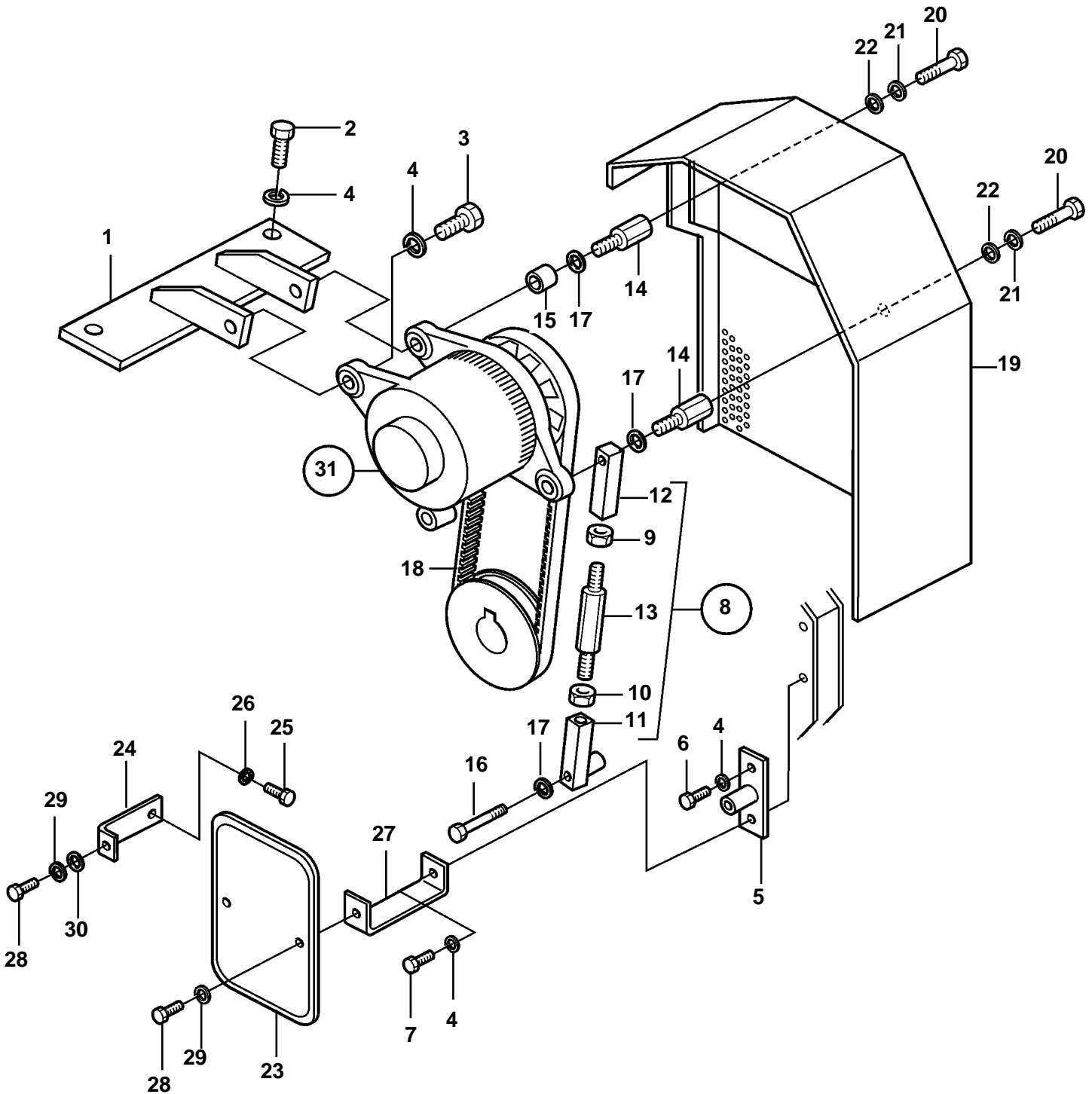


D49A-MT, D49A-MS



18586

D49A-MT, D49A-MS

REF	PART NO.	QTY	DESCRIPTION	SEE SEC.	NOTES
1	3833023	1	Alternator bracket		
2	3832058	2	Screw		
3	3832063	1	Screw		
4	3832245	5	Spring washer		
5	3833024	1	Alternator bracket		
6	3832063	1	Screw		
7	3832065	1	Screw		
8	3835781	1	Rod		
9	3832209	1	· Lock nut		
10	3831612	1	· Lock nut		
11	3834385	1	· Rod		
12	3834386	1	· Rod		
13	3589142	1	· Control rod		
14	3832266	2	Screw		
15	3834639	1	Spacer		
16	3832077	1	Screw		
17	3832245	3	Spring washer		
18	3834899	1	V-belt		
19	3833356	1	Cover		SN-11115
	3838477	1	Cover		SN11116-
20	3832042	2	Screw		
21	3832233	2	Spring washer		
22	3832214	2	Washer		
23	3833361	1	Cover		SN-11115
	3838478	1	Cover		SN11116-
24	3834695	2	Stay		
25	3832056	2	Screw		
26	3832245	2	Spring washer		
27	3834696	1	Stay		
28	3832041	3	Screw		
29	3832233	3	Spring washer		
30	3832214	2	Washer		
31	3832150	1	Alternator		
				5001	