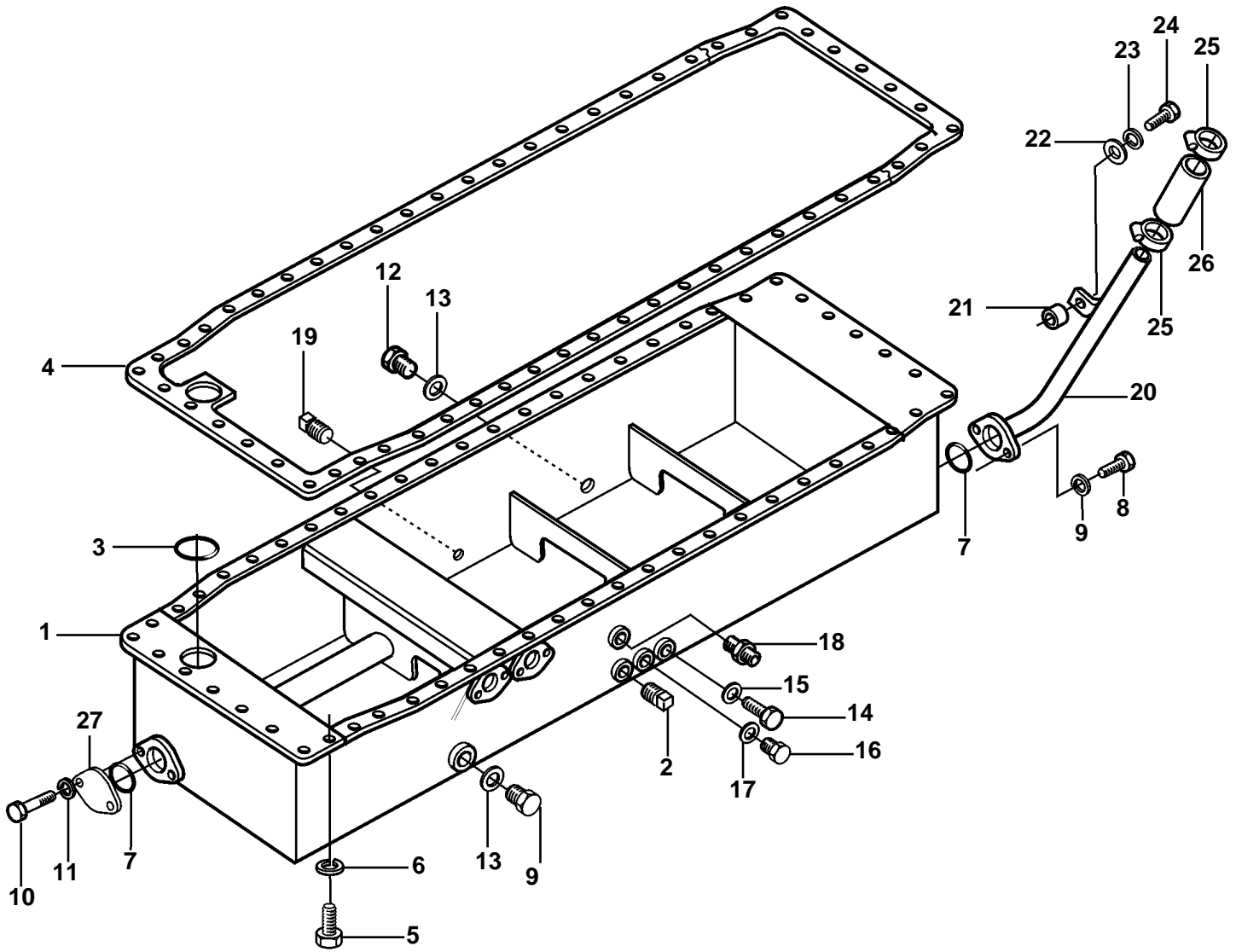


D49A-MT AUX, D49A-MS AUX



19426

## D49A-MT AUX, D49A-MS AUX

REF	PART NO.	QTY	DESCRIPTION
1	3835442	1	Oil pan
2	3832104	1	Plug
3	3835444	1	O-ring
4	3835443	1	Gasket
5	3832063	54	Screw
6	3832245	54	Spring washer
7	3831574	2	O-ring
8	3832056	2	Screw
9	3832245	2	Spring washer
10	3832058	2	Screw
11	3832245	2	Spring washer
12	3832333	2	Plug
13	3831600	2	Sealing washer
14	3832330	1	Plug
15	3831596	1	Sealing washer
16	3832064	1	Plug
17	3831595	1	Sealing washer
18	3832325	1	Connector
19	3832342	1	Plug
20	3835445	1	Oil pipe
21	3835446	1	Collar
22	3831794	1	Washer
23	3832282	1	Spring washer
24	3835447	1	Screw
25	3835448	2	Hose clamp
26	3835449	1	Rubber hose
27	3831665	1	Cover