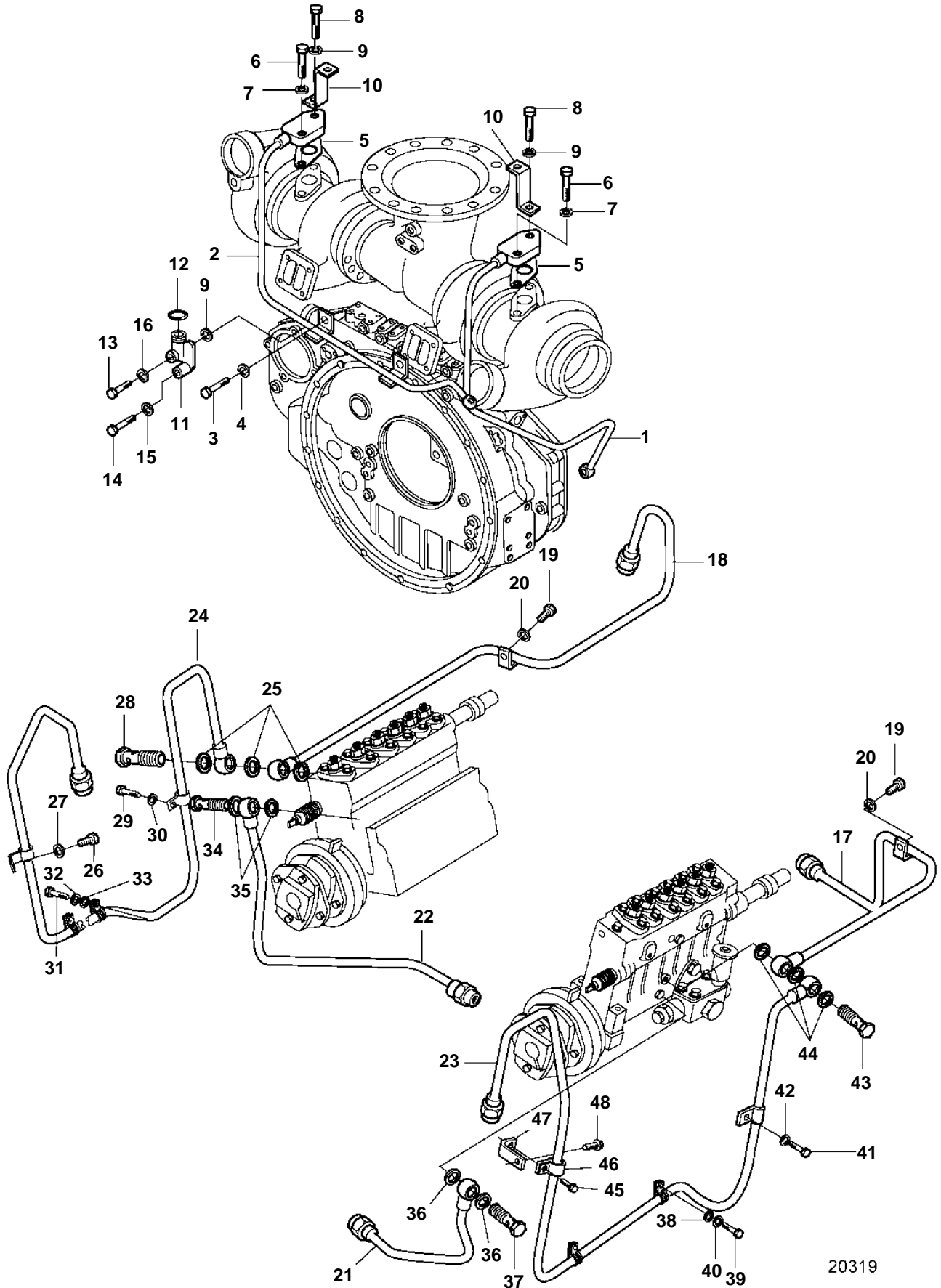


D49A-MT AUX



D49A-MT AUX

REF	PART NO.	QTY	DESCRIPTION	NOTES
1	3834154	1	Oil pipe, right	
2	3834147	1	Oil pipe, left	
3	3832041	2	Screw	
4	3832233	2	Spring washer	
5	3818203	2	Gasket	(3835122)
6	3831576	2	Screw	
7	3832233	2	Spring washer	
8	3831583	2	Screw	
9	3832233	2	Spring washer	
10	3834709	2	Stay	
11	3835565	2	Connector	
12	3831566	4	O-ring	
13	3832051	2	Screw	
14	3832044	2	Screw	
15	3832233	2	Spring washer	
16	3832233	2	Spring washer	
17	3835559	1	Oil pipe	
18	3835560	1	Oil pipe	
19	3835722	1	Screw	
20	3832225	1	Spring washer	
21	3835561	1	Drain pipe, right	
22	3835562	1	Drain pipe, left	
23	3587801	1	Oil pipe, right	
24	3835564	1	Oil pipe, left	
25	3831588	3	Sealing washer	
26	3832063	1	Screw	
27	3832245	1	Spring washer	
28	3832295	1	Hollow screw	
29	3832058	1	Screw	
30	3832245	1	Spring washer	
31	3832041	1	Screw	
32	3832233	1	Spring washer	
33	3833095	1	Bushing	
34	3832305	1	Hollow screw	
35	3831591	1	Sealing washer	
36	3831591	2	Sealing washer	
37	3832303	1	Hollow screw	
38	3832214	1	Washer	
39	3832041	1	Screw	
40	3832233	1	Spring washer	
41	3832058	1	Screw	
42	3832245	1	Spring washer	
43	3832295	1	Hollow screw	
44	3831588	3	Sealing washer	
45	3836898	1	Screw	S.B
46	3832225	1	Spring washer	S.B
47	3587803	1	Stay	S.B
48	3832073	1	Screw	S.B