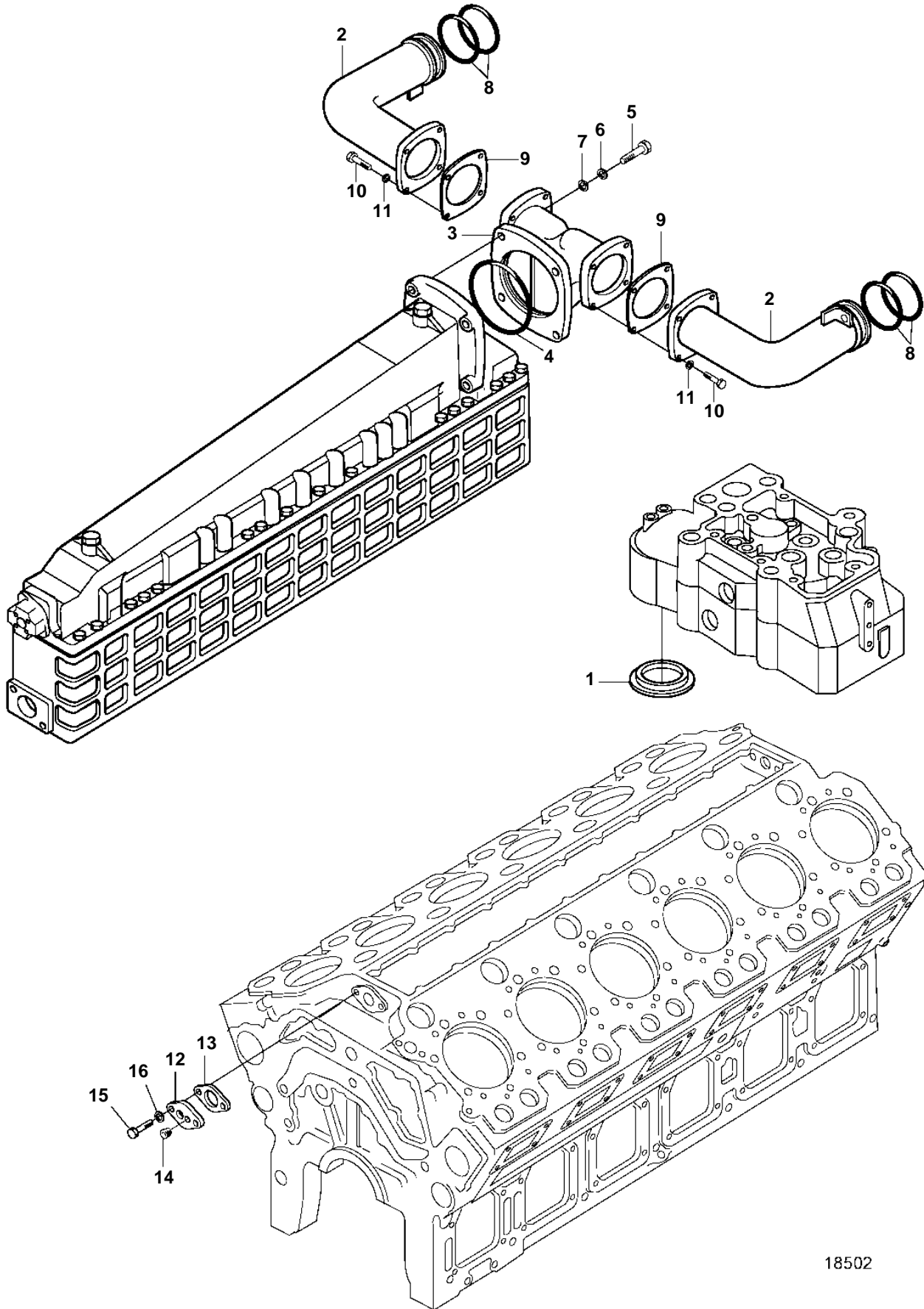


D49A-MT AUX



18502

D49A-MT AUX

REF	PART NO.	QTY	DESCRIPTION
1	3831814	12	Gasket
2	3833432	2	Air tube
3	3833433	1	Air tube
4	3831938	1	O-ring
5	3832063	4	Screw
6	3832245	4	Spring washer
7	3832218	4	Washer
8	3831677	4	O-ring
9	3835482	2	Gasket
10	3836448	8	Screw
11	3832233	8	Spring washer
12	3833336	1	Cover
13	3835059	1	Gasket
14	3832336	1	Plug
15	3832056	2	Screw
16	3832245	2	Spring washer