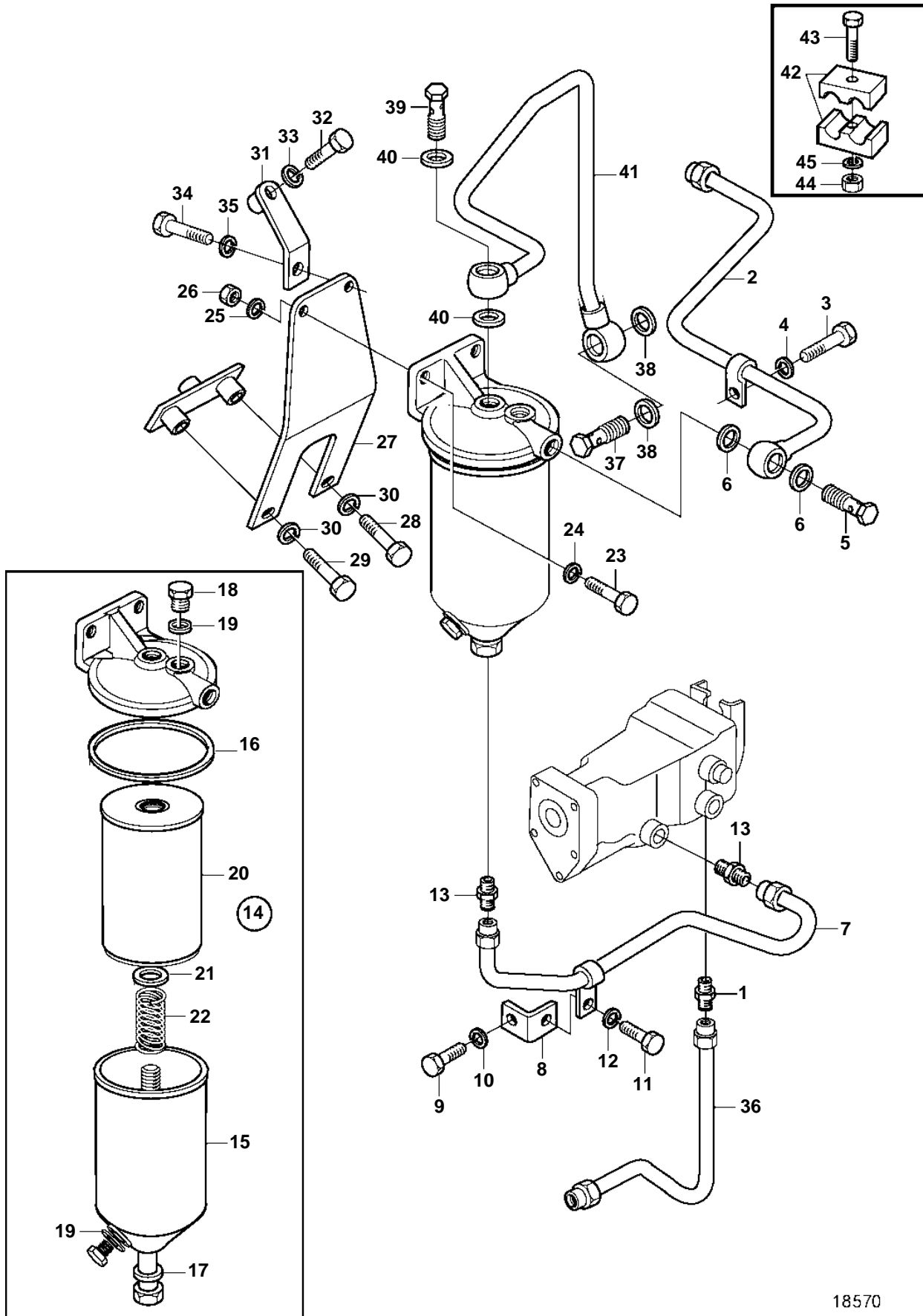


D49A-MT AUX, D49A-MS AUX



18570

D49A-MT AUX, D49A-MS AUX

REF	PART NO.	QTY	DESCRIPTION	NOTES
1	3832324	1	Connector	
2	3834134	1	Oil pipe	
3	3832041	1	Screw	
4	3832233	1	Spring washer	
5	3831930	1	Hollow screw	
6	3831591	2	Sealing washer	
7	3841125	1	Oil pipe	(3834135)
8	3834719	1	Stay	
9	3832058	1	Screw	
10	3832245	1	Spring washer	
11	3832041	1	Screw	
12	3832233	1	Spring washer	
13	3832320	2	Connector	
14	3835229	1	Oil filter kit	
15	3836543	1	· Housing	
16	3833939	1	· Gasket	
17	3833937	1	· Gasket	
18	3834278	1	· Plug	
19	3833936	2	· Gasket	
20	3831491	1	· Oil filter	
21	3834489	1	· Seat	
22	3834664	1	· Spring	
23	3832045	2	Screw	
24	3832214	2	Washer	
25	3832233	2	Spring washer	
26	3832196	2	Lock nut	
27	3833008	1	Bracket	
28	3831552	1	Screw	
29	3832082	1	Screw	
30	3832245	2	Spring washer	
31	3834720	1	Stay	
32	3831550	1	Screw	
33	3832233	1	Spring washer	
34	3832041	1	Screw	
35	3832233	1	Spring washer	
36	3835859	1	Drain pipe	
37	3832297	1	Hollow screw	
38	3831586	2	Sealing washer	
39	3832311	1	Hollow screw	
40	3831591	2	Sealing washer	
41	3835860	1	Oil pipe	
42	3833183	4	Clamp	
43	3831542	2	Screw	
44	3832190	2	Lock nut	
45	3832223	2	Spring washer	